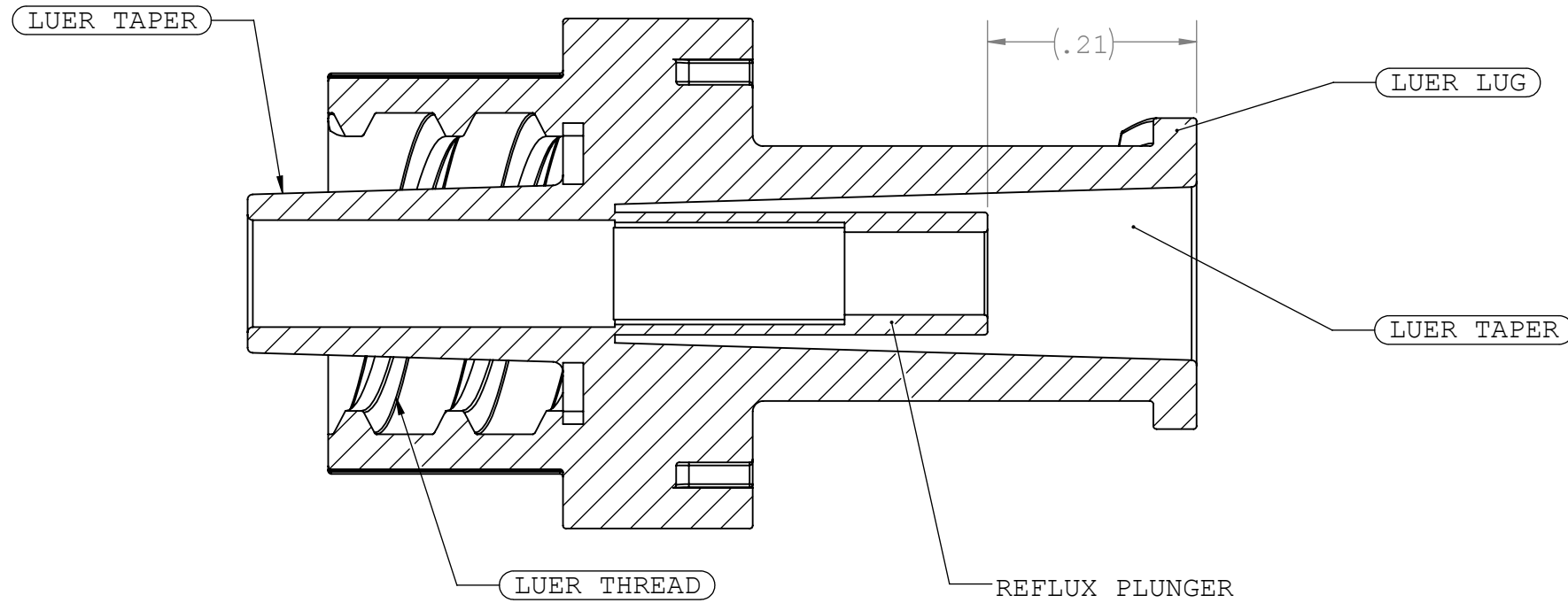
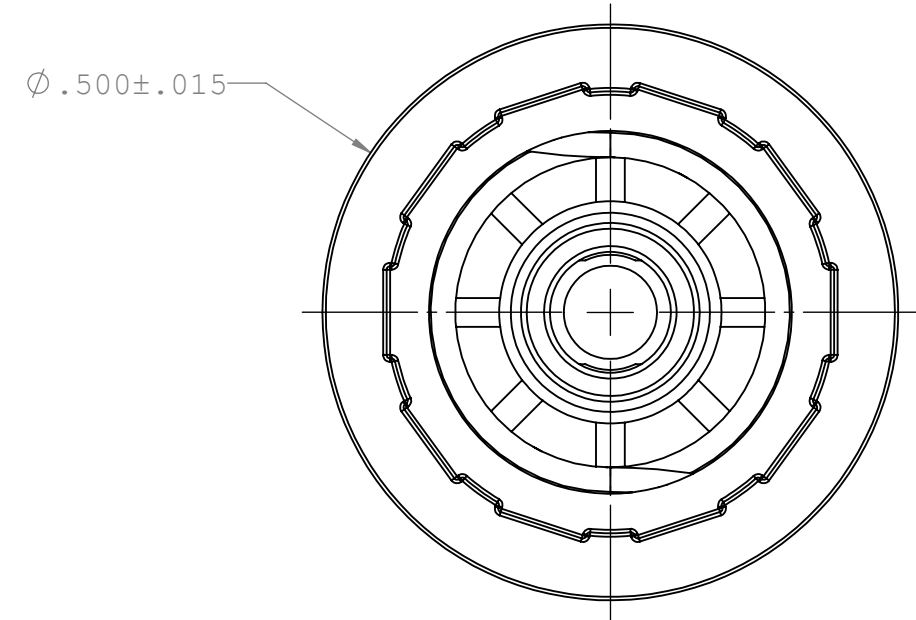
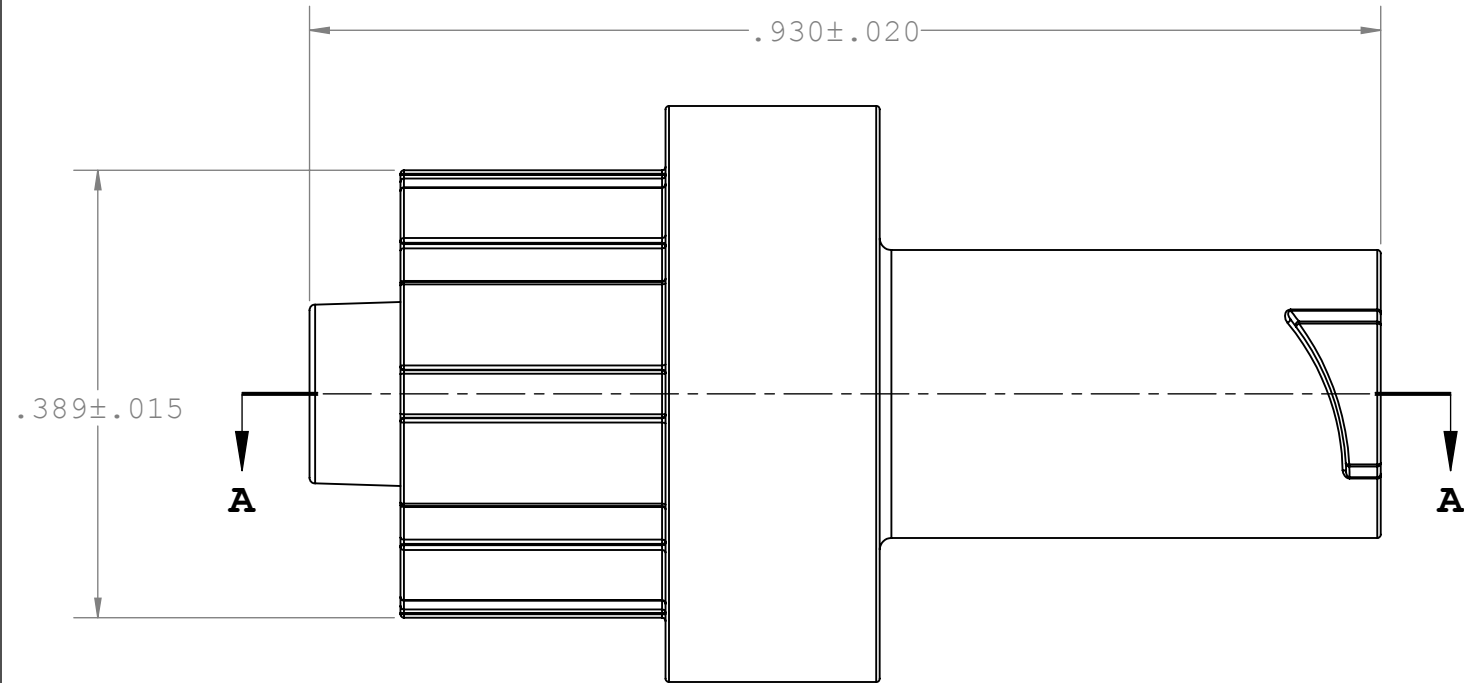
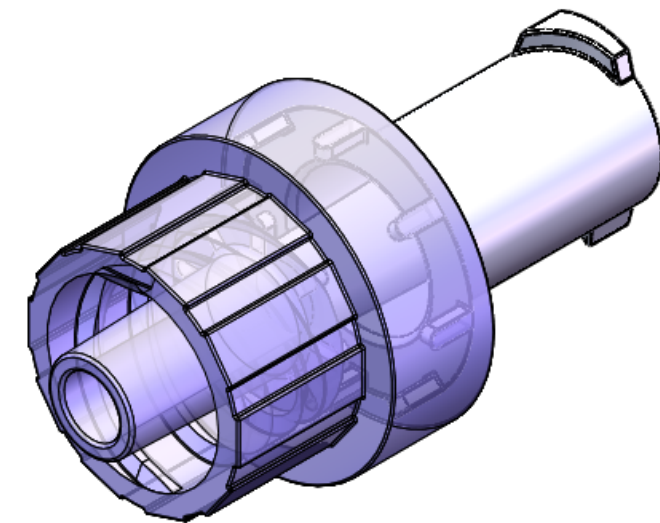


NOTES: FOR ADDITIONAL DETAILS, PLEASE CONTACT VP CUSTOMER SERVICE
 DIMENSIONS MARKED \square ARE CONTROL DIMENSIONS

REVISIONS			
REV.	DESCRIPTION	DATE	APPROVED
A	INITIAL RELEASE	2/15/1999	
B	ECO 229: Drafting Update	6/5/2012	RICKC



SECTION A-A



UNLESS OTHERWISE SPECIFIED DIMENSIONS ARE IN INCHES TOLERANCES ARE:		VALUE PLASTICS, INC			
FRACTIONS DECIMAL ANGULAR \pm .XX \pm .01 \pm 1° .XXX \pm .005 .XXXX \pm .001		PART NUMBER: VPS5401036SN			
DO NOT SCALE DRAWING		DESCRIPTION: Reflux Check Valve, M/F Luer, 350mL/min Flow Rate at 1 M head, 45 psi back pressure, opens at 284 mmHg, Polycarbonate w/ Silicone Disc			
DRAWN BY: Marcus Kincaid	DATE: 6/13/2012	SIZE: B	SCALE: NTS	VER: 101328	DWG. NO. 101328
MANAGER: RICKC		© 2011 VALUE PLASTICS, INC			REV B
				SHEET:	1 OF 1

FOR REFERENCE ONLY