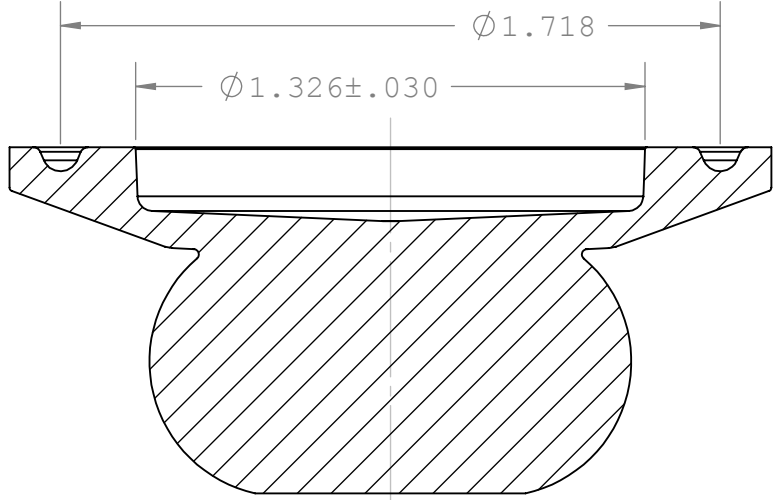
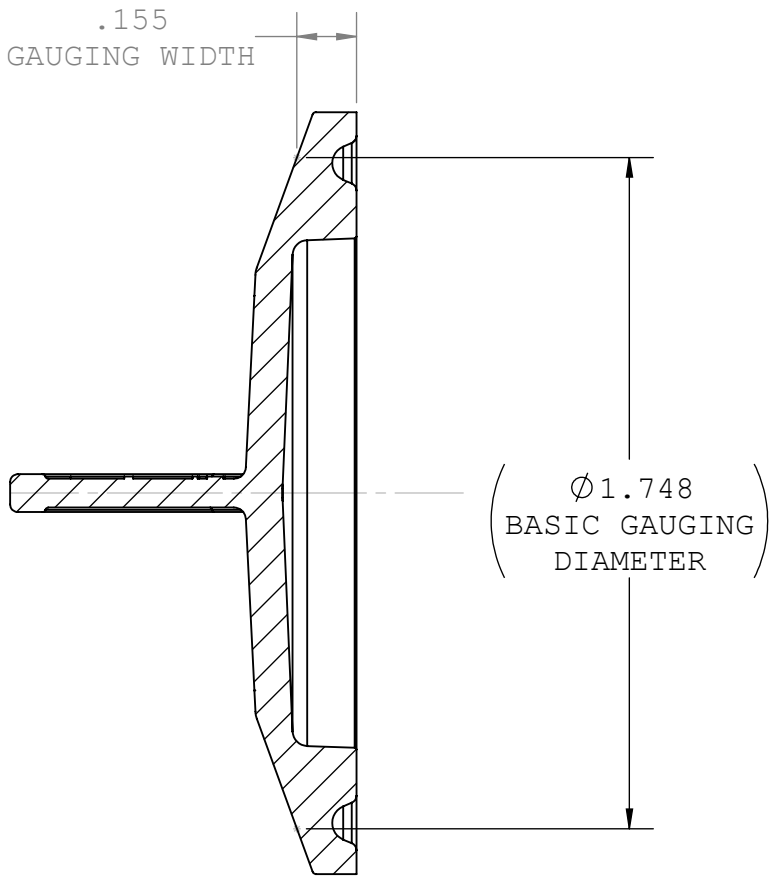
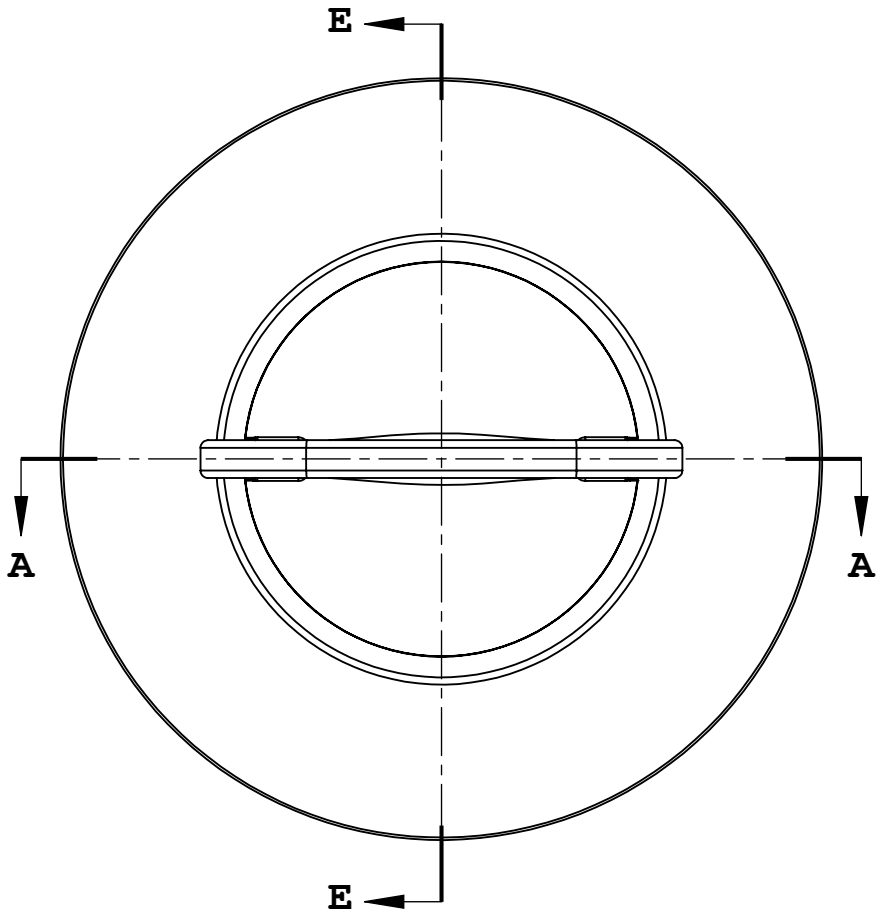
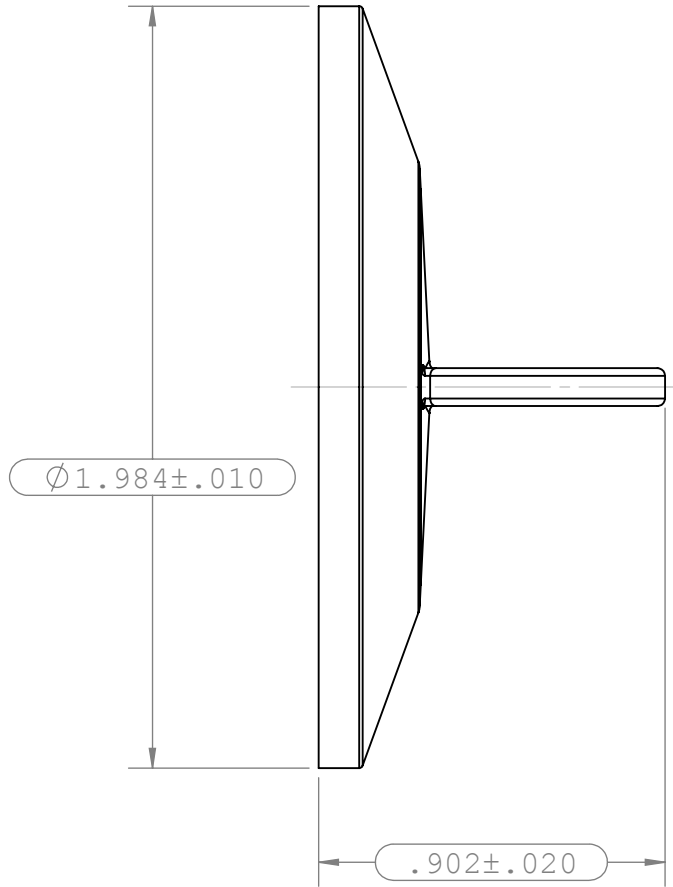


REVISIONS			
REV.	DESCRIPTION	DATE	APPROVED
A	INITIAL RELEASE	12-05-08	S.N.R
B	ECO 241 - Change OD tolerance	11/9/12	S.N.R
C	ECO 261	8-12-13	S.N.R



SECTION A-A



SECTION E-E

- NOTES:
- FOR ADDITIONAL DETAILS, PLEASE CONTACT VP PRODUCT DEVELOPMENT
 - DIMENSIONS MARKED ϕ ARE CONTROL DIMENSIONS
 - ALL EXTERIOR SURFACES HAVE A MAXIMUM OF 20 Ra MICROINCH SURFACE FINISH
 - ALL INTERIOR SURFACES HAVE A MAXIMUM OF 15 Ra MICROINCH SURFACE FINISH
 - VALUE PLASTICS SFMX SERIES FERRULES ARE DESIGNED TO COMPLY WITH ASME BPE-2012 DIMENSIONAL GUIDELINES. PRODUCT TOLERANCES COMPLY WITH VALUE PLASTICS ENGINEERING STANDARDS OR AS SPECIFIED ON THE PRINT

UNLESS OTHERWISE SPECIFIED DIMENSIONS ARE IN INCHES TOLERANCES ARE:		VALUE PLASTICS, INC				
FRACTIONS	DECIMAL					ANGULAR
\pm	.XX $\pm .01$	$\pm 1^\circ$	DESCRIPTION:	Sanitary Fitting, Cap With Maxi Flange		
	.XXX $\pm .005$		SIZE:	B		
	.XXXX $\pm .001$		SCALE:	NTS		
DO NOT SCALE DRAWING			VER:			
DRAWN BY:	DATE:	SIZE:	SCALE:	VER:	DWG. NO.	REV
marcl	8/12/2013	B	NTS		1013707	C
NEW PRODUCT DEVELOPMENT MGR:			© 2007 VALUE PLASTICS, INC		SHEET:	1 OF 1
R. Narayanan						

FOR REFERENCE ONLY