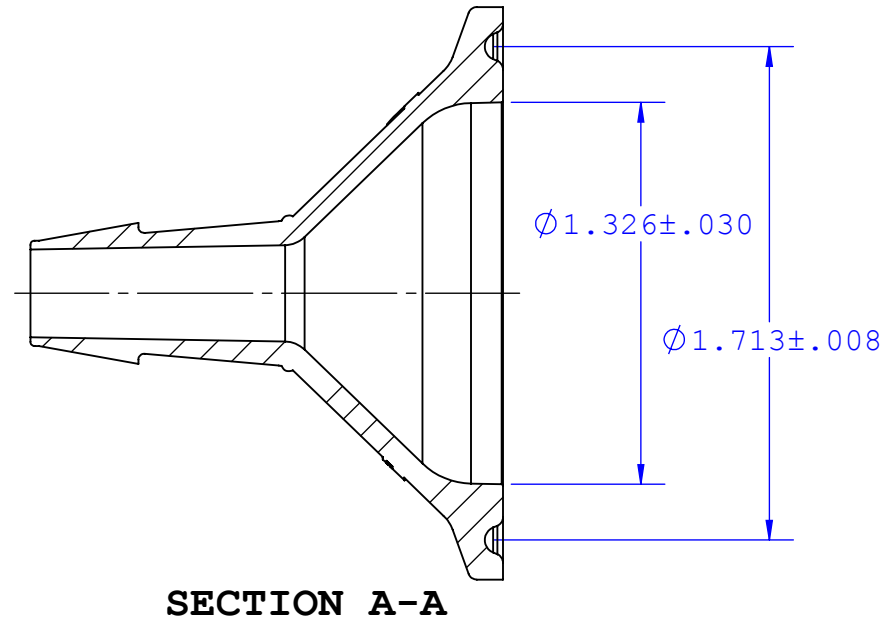
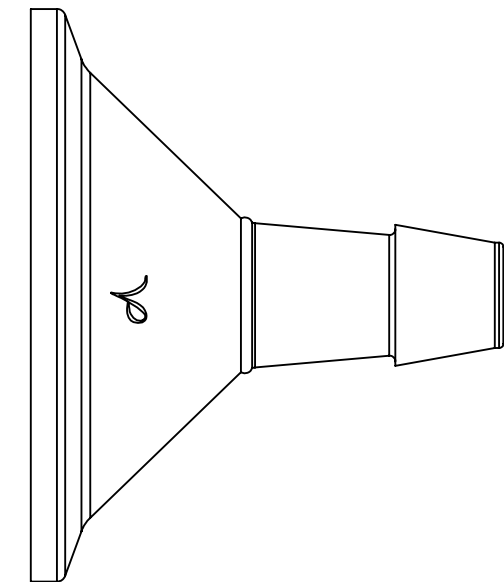
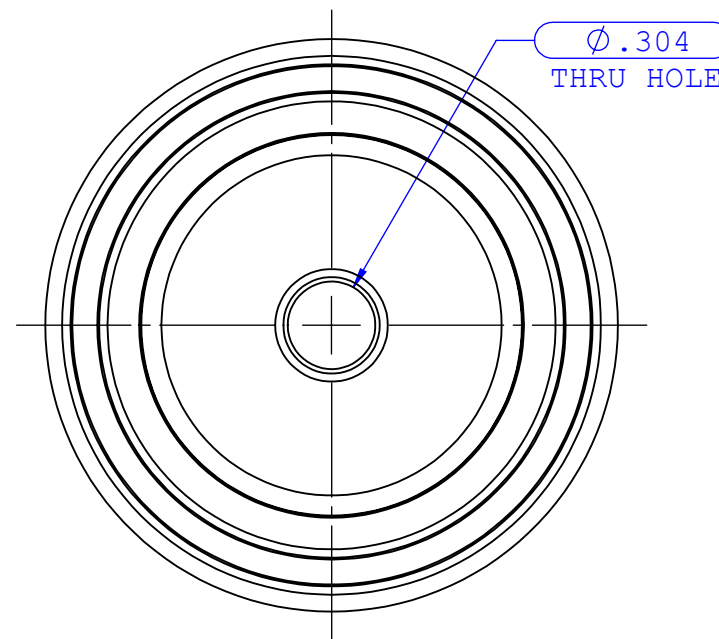
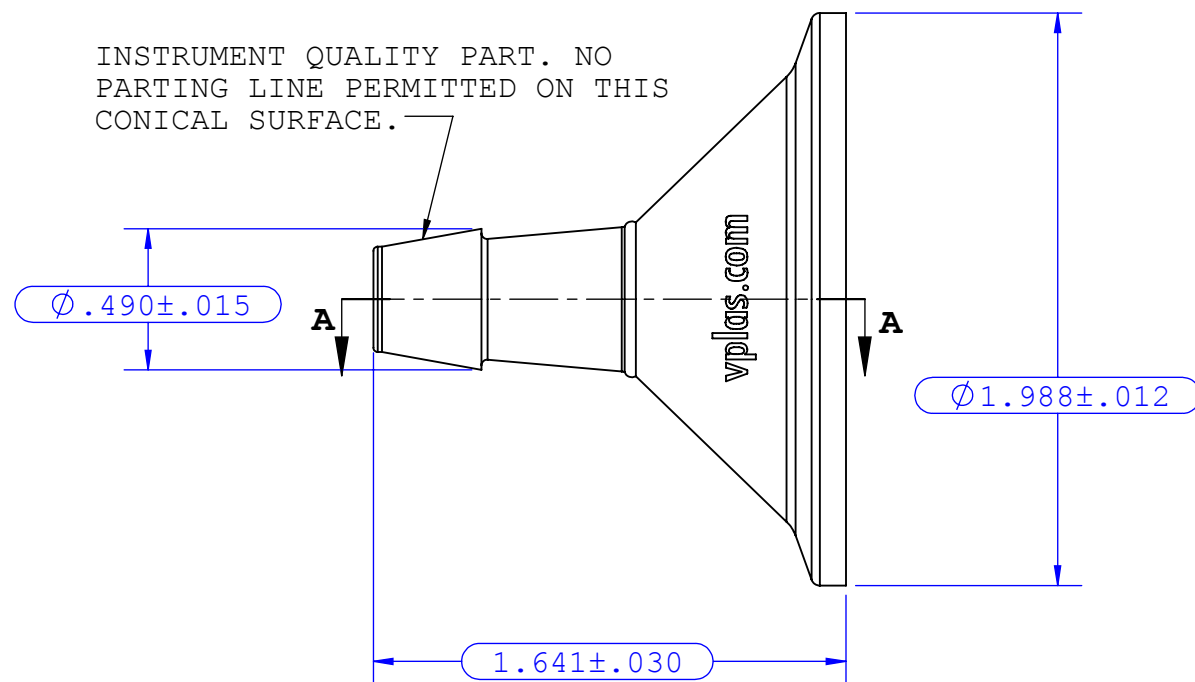


- NOTES:
- FOR ADDITIONAL DETAILS, PLEASE CONTACT VP PRODUCT DEVELOPMENT
  - DIMENSIONS MARKED  $\varnothing$  ARE CONTROL DIMENSIONS
  - ALL EXTERIOR SURFACES HAVE A 20 Ra MICROINCH SURFACE FINISH OR BETTER
  - ALL INTERIOR SURFACES HAVE A 15 Ra MICROINCH SURFACE FINISH OR BETTER
  - VALUE PLASTICS SFMX SERIES PRODUCT MOUNTING FLANGES ARE DESIGNED TO COMPLY WITH ISO:2852:1993 (E) FLANGE AND GASKET GROOVE DIMENSIONAL GUIDELINES. PRODUCT TOLERANCES COMPLY WITH VALUE PLASTICS ENGINEERING STANDARDS OR AS SPECIFIED ON THE PRINT. ALL INTERIOR AND EXTERIOR SURFACE FINISHES COMPLY WITH ISO:2852:1993 (E) SURFACE ROUGHNESS GUIDELINES.

REVISIONS			
REV.	DESCRIPTION	DATE	APPROVED
A	INITIAL RELEASE	03-30-07	S.N.R
B	CHANGED DIMENSION AND MODIFIED TOLERANCES ON SEVERAL DIMENSIONS	06-18-07	S.N.R
C	PER ECO 077	10-29-08	S.N.R
D	MODIFIED NOTES AND TOLERANCES	12-05-08	S.N.R



INSTRUMENT QUALITY PART. NO PARTING LINE PERMITTED ON THIS CONICAL SURFACE.



UNLESS OTHERWISE SPECIFIED  
DIMENSIONS ARE IN INCHES  
TOLERANCES ARE:

FRACTIONS	DECIMAL	ANGULAR
$\pm$	.XX $\pm .01$	$\pm 1^\circ$
	.XXX $\pm .005$	
	.XXXX $\pm .001$	

DO NOT SCALE DRAWING

**VALUE PLASTICS, INC**

PART NUMBER: SFMX670

DESCRIPTION: Sanitary Fitting, Mini Flange to 600 Series Barb, 3/8" (9.5 mm) Tubing ID

DRAWN BY: marcl	DATE: 12/5/2008	SIZE: <b>B</b>	SCALE: NTS	VER:	DWG. NO. 1010493	REV D
NEW PRODUCT DEVELOPMENT MGR: R. Narayanan					© 2008 VALUE PLASTICS, INC	SHEET: 1 OF 1

**FOR REFERENCE ONLY**