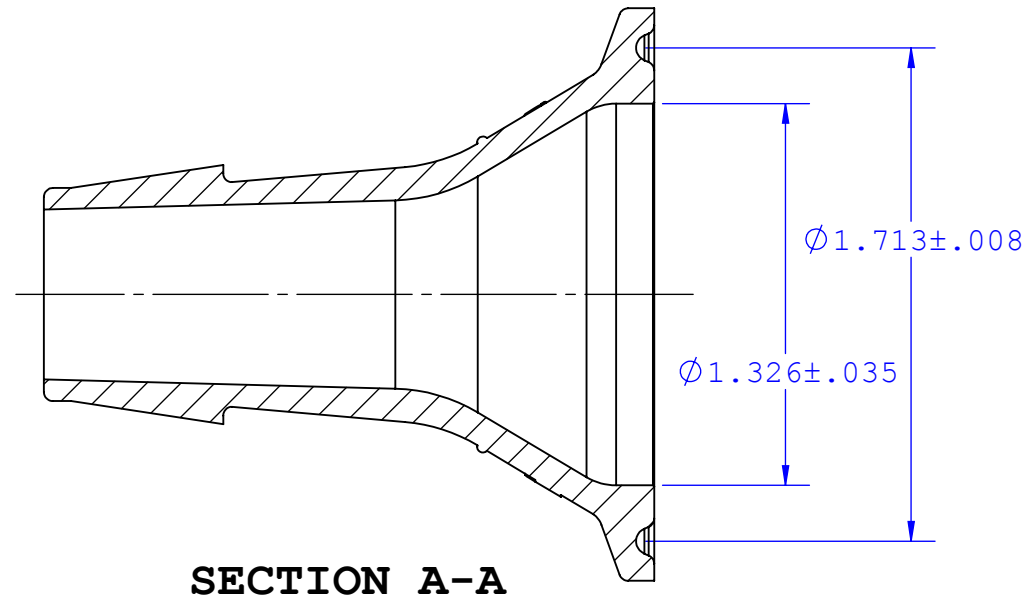
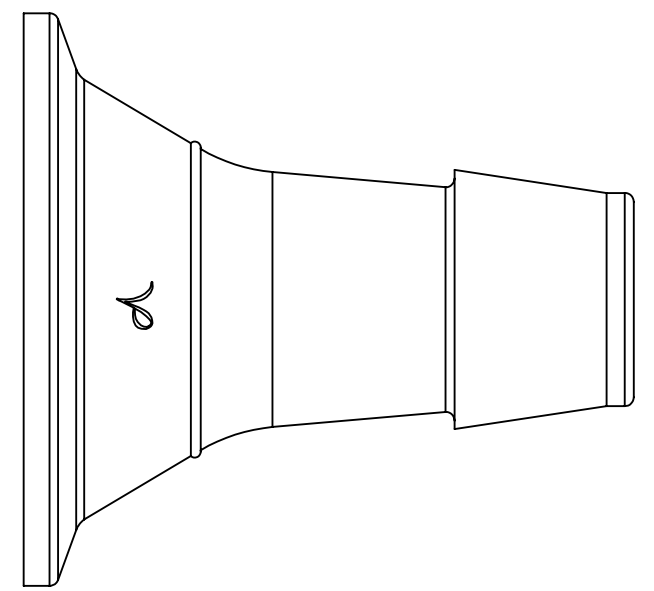
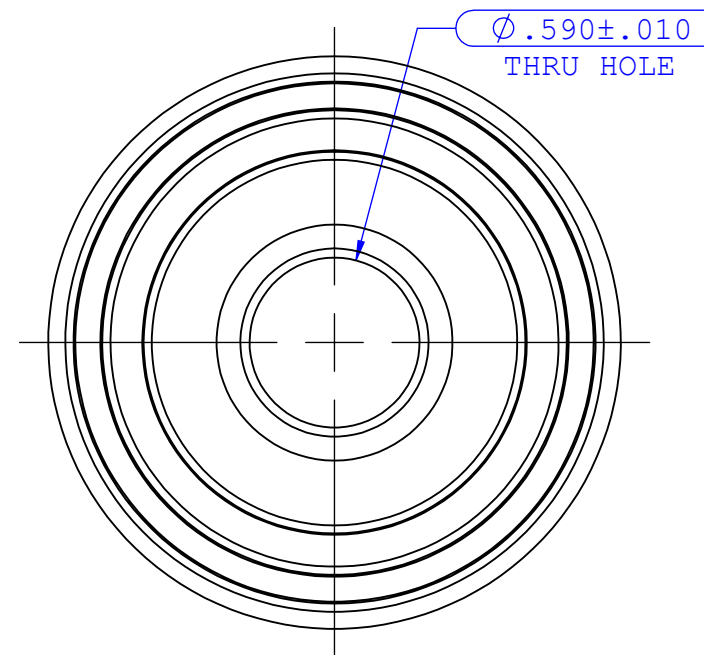
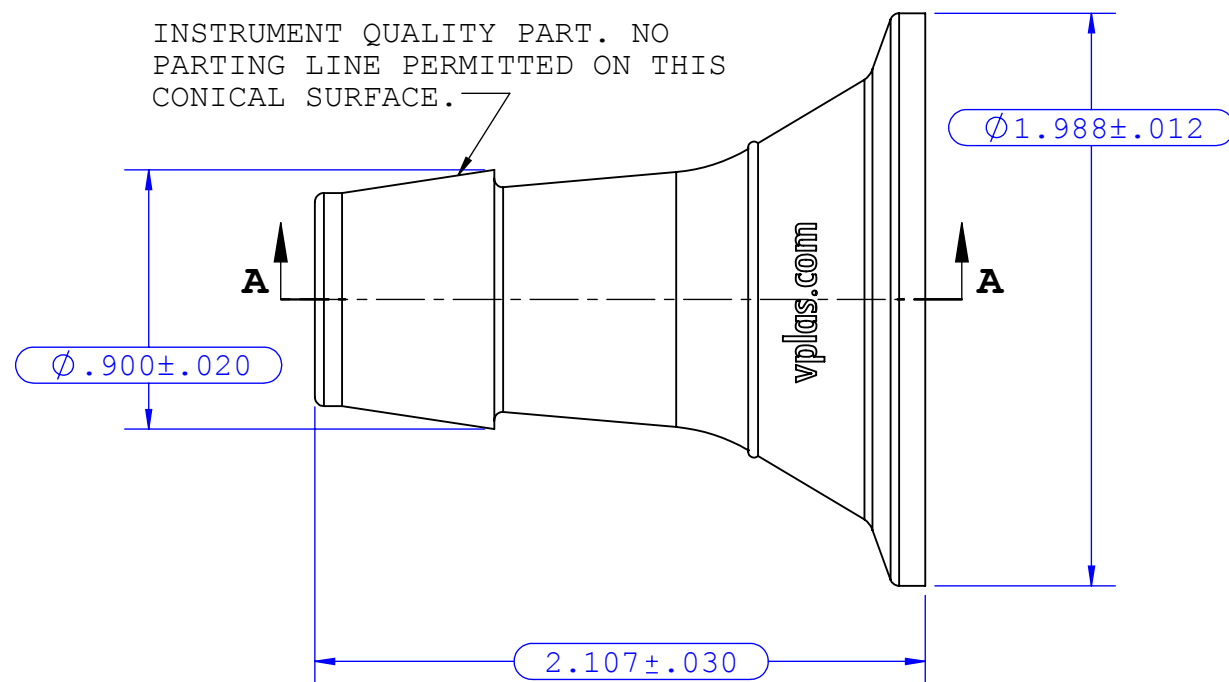


- NOTES:
- FOR ADDITIONAL DETAILS, PLEASE CONTACT VP PRODUCT DEVELOPMENT
 - DIMENSIONS MARKED \varnothing ARE CONTROL DIMENSIONS
 - ALL EXTERIOR SURFACES HAVE A 20 Ra MICRINCH SURFACE FINISH OR BETTER
 - ALL INTERIOR SURFACES HAVE A 15 Ra MICRINCH SURFACE FINISH OR BETTER
 - VALUE PLASTICS SFMX SERIES PRODUCT MOUNTING FLANGES ARE DESIGNED TO COMPLY WITH ISO:2852:1993 (E) FLANGE AND GASKET GROOVE DIMENSIONAL GUIDELINES. PRODUCT TOLERANCES COMPLY WITH VALUE PLASTICS ENGINEERING STANDARDS OR AS SPECIFIED ON THE PRINT. ALL INTERIOR AND EXTERIOR SURFACE FINISHES COMPLY WITH ISO:2852:1993 (E) SURFACE ROUGHNESS GUIDELINES.

REVISIONS			
REV.	DESCRIPTION	DATE	APPROVED
A	INITIAL RELEASE	01-13-09	S.N.R



INSTRUMENT QUALITY PART. NO PARTING LINE PERMITTED ON THIS CONICAL SURFACE.



UNLESS OTHERWISE SPECIFIED DIMENSIONS ARE IN INCHES TOLERANCES ARE:		VALUE PLASTICS, INC			
FRACTIONS	DECIMAL				
± .XX	± .01	± 1°	DESCRIPTION:	Sanitary Fitting, Maxi Flange to 600 Series Barb, 3/4" (19.0 mm) Tubing ID	
± .XXX	± .005		SIZE:	B	
± .XXXX	± .001		SCALE:	NTS	
DO NOT SCALE DRAWING		VER:	DWG. NO.	1013882	
DRAWN BY:	DATE:	SIZE:	SCALE:	VER:	
Pete L.	1/13/2009	B	NTS		
NEW PRODUCT DEVELOPMENT MGR:		SHEET:		1 OF 1	
R. Narayanan		© 2007 VALUE PLASTICS, INC			

FOR REFERENCE ONLY