
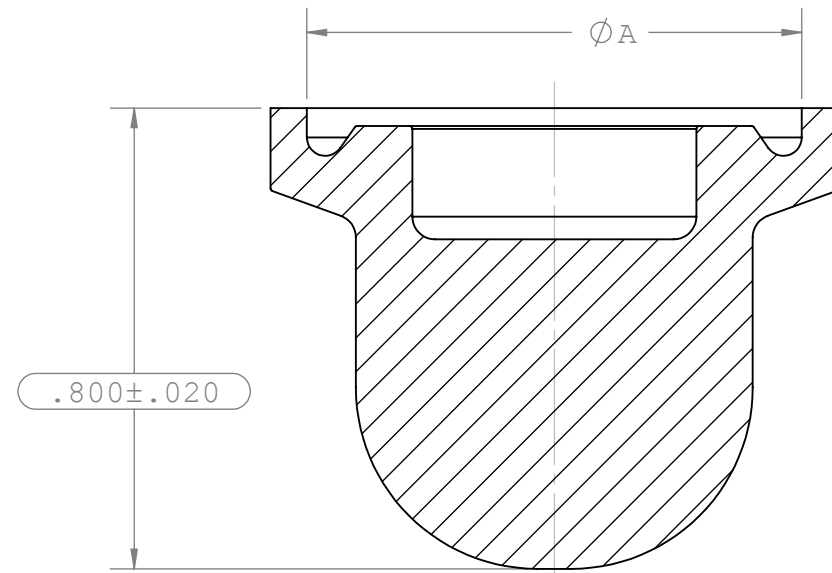
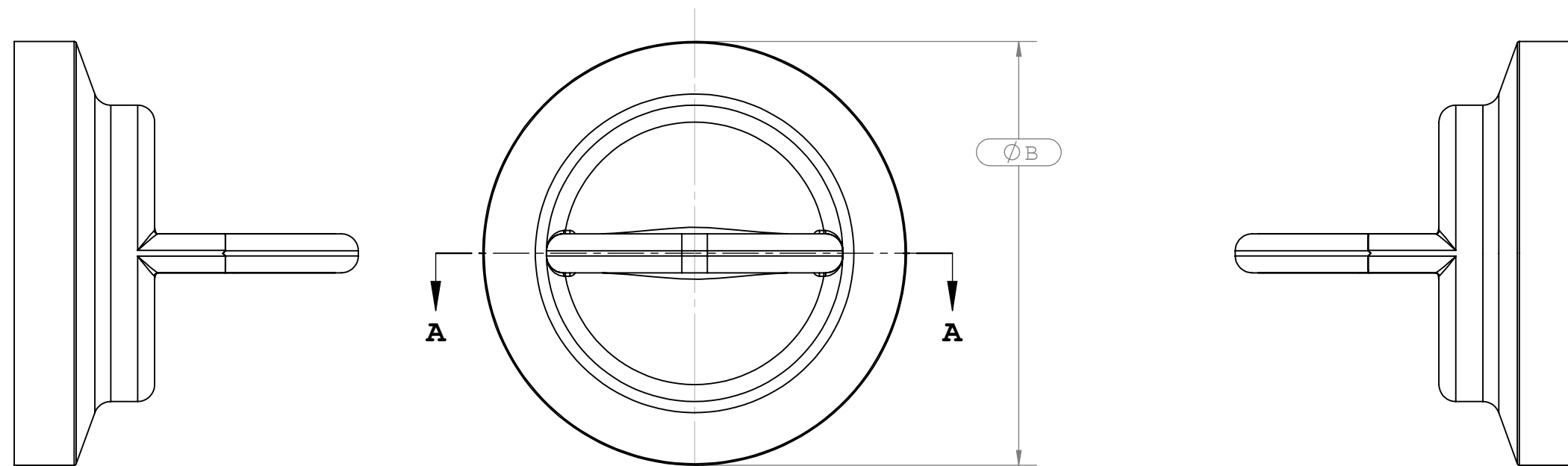


- NOTES:
- FOR ADDITIONAL DETAILS, PLEASE CONTACT VP PRODUCT DEVELOPMENT
 - DIMENSIONS MARKED  ARE CONTROL DIMENSIONS
 - ALL EXTERIOR SURFACES HAVE A 20 Ra MICROINCH SURFACE FINISH OR BETTER
 - ALL INTERIOR SURFACES HAVE A 15 Ra MICROINCH SURFACE FINISH OR BETTER

REVISIONS			
REV.	DESCRIPTION	DATE	APPROVED
A	INITIAL RELEASE	12-03-08	S.N.R.
B	ADDED MATERIAL SPECIFIC DIMENSIONS PER ECO 113	03-02-09	S.N.R.



SECTION A-A



Dimension	Material Specific Tolerances							
	Acetal	Nylon	PP	ABS	PC	PVC	Polysulfone	PVDF
A			0.859±0.008					0.859±0.012
B			0.985±0.008					0.985±0.012
C								
D								
E								
F								

UNLESS OTHERWISE SPECIFIED DIMENSIONS ARE IN INCHES TOLERANCES ARE:		VALUE PLASTICS, INC			
FRACTIONS DECIMAL ANGULAR ± .XX ±.01 ± 1° .XXX ±.005 .XXXX ±.001		PART NUMBER: SFMNC			
DO NOT SCALE DRAWING		DESCRIPTION: Sanitary Fitting, Cap With Mini Flange			
DRAWN BY: Pete L.	DATE: 3/2/2009	SIZE: B	SCALE: NTS	VER: 	DWG. NO. REV 1013708 B
NEW PRODUCT DEVELOPMENT MGR: R. Narayanan		© 2007 VALUE PLASTICS, INC			SHEET: 1 OF 1

FOR REFERENCE ONLY