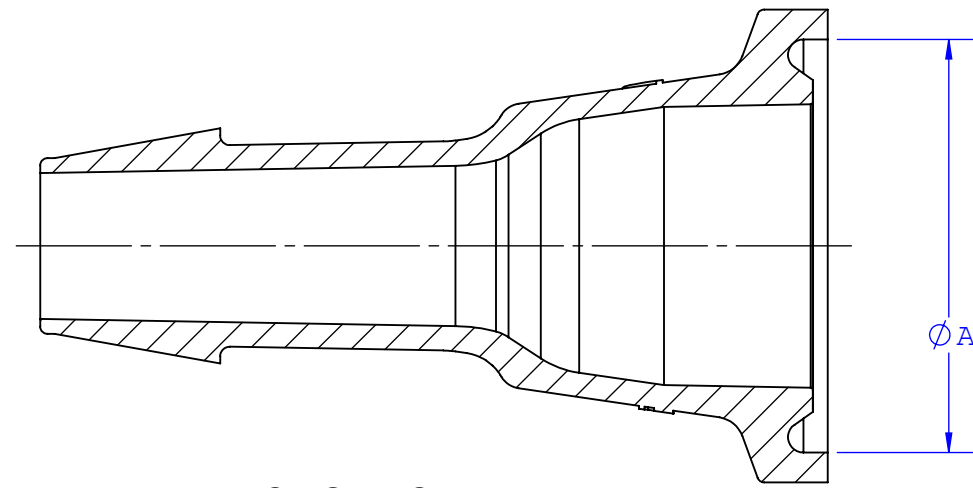
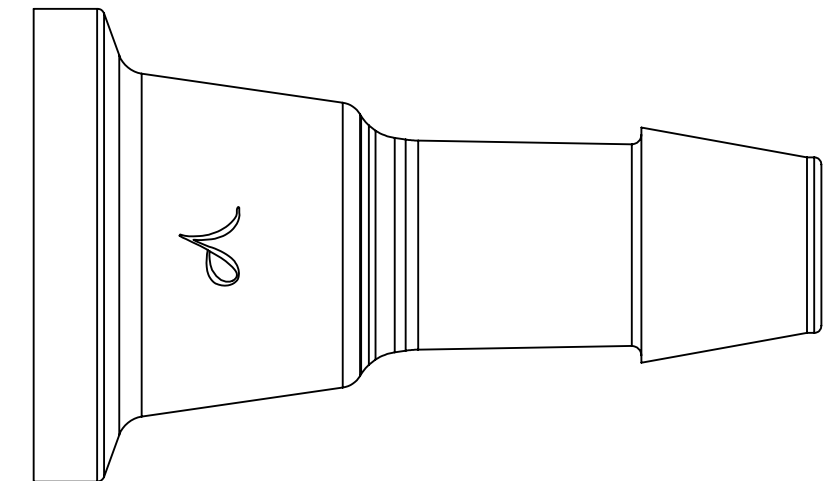
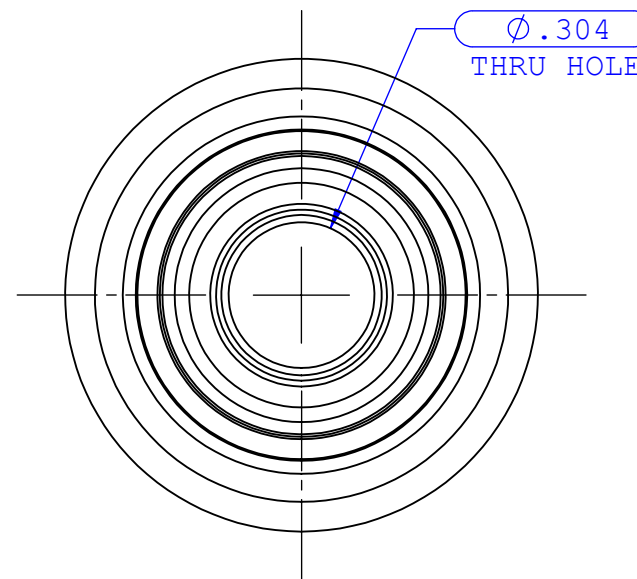
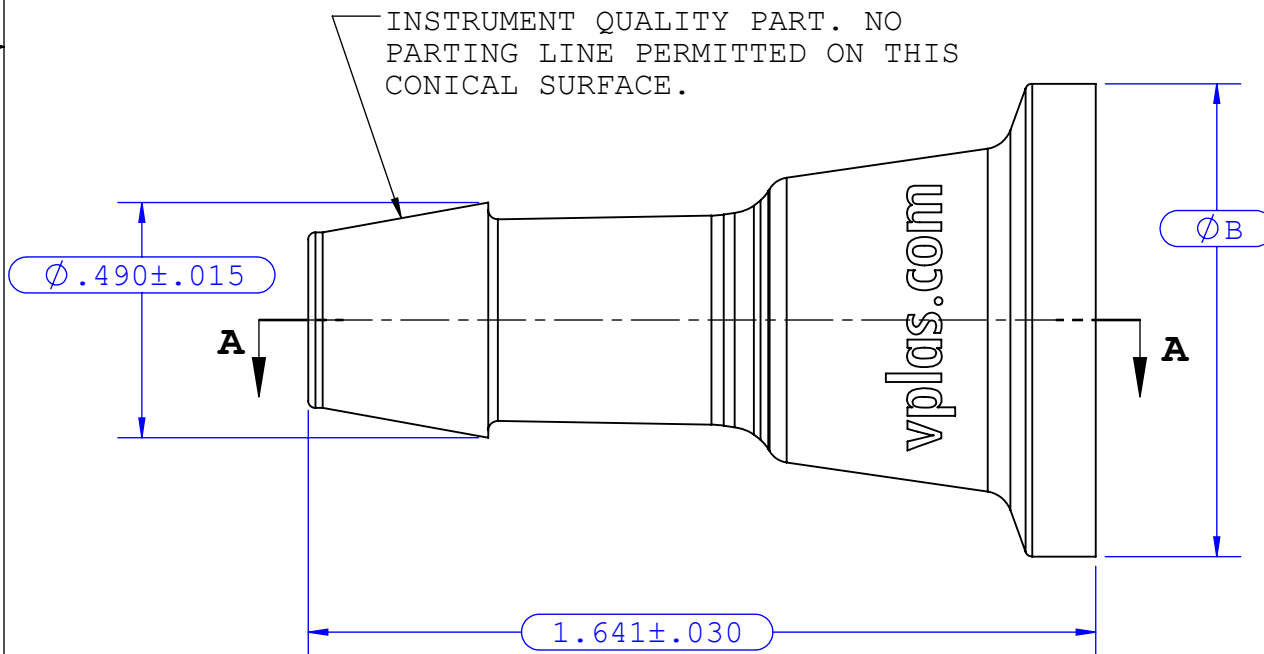
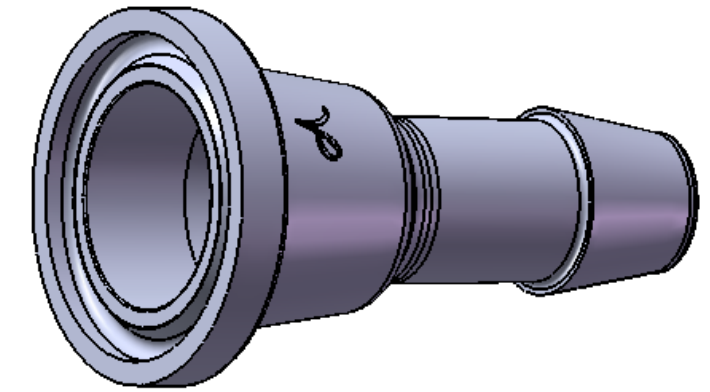


- NOTES:
- FOR ADDITIONAL DETAILS, PLEASE CONTACT VP PRODUCT DEVELOPMENT
 - DIMENSIONS MARKED \square ARE CONTROL DIMENSIONS
 - ALL EXTERIOR SURFACES HAVE A 20 Ra MICROINCH SURFACE FINISH OR BETTER
 - ALL INTERIOR SURFACES HAVE A 15 Ra MICROINCH SURFACE FINISH OR BETTER

REVISIONS			
REV.	DESCRIPTION	DATE	APPROVED
A	INITIAL RELEASE	03-15-07	S.N.R.
B	MODIFIED TOLERANCES ON SEVERAL DIMENSIONS	06-26-07	S.N.R.
C	PER ECO 086	12-04-08	S.N.R.



SECTION A-A



Dimension	Material Specific Tolerances							
	Acetal	Nylon	PP	ABS	PC	PVC	Polysulfone	PVDF
A			0.859±0.008					0.859±0.012
B			0.985±0.008					0.985±0.012
C								
D								
E								
F								

UNLESS OTHERWISE SPECIFIED DIMENSIONS ARE IN INCHES TOLERANCES ARE:		VALUE PLASTICS, INC			
FRACTIONS DECIMAL ANGULAR ± ± ± 1° .XX .XXX .XXXX ±.01 ±.005 ±.001		PART NUMBER: SFMN670			
DO NOT SCALE DRAWING		DESCRIPTION: Sanitary Fitting, Mini Flange to 600 Series Barb, 3/8" (9.5 mm) Tubing ID			
DRAWN BY: marcl	DATE: 12/4/2008	SIZE: B	SCALE: NTS	VER: 1010482	DWG. NO. 1010482
NEW PRODUCT DEVELOPMENT MGR: R. Narayanan		© 2008 VALUE PLASTICS, INC			REV C
				SHEET:	1 OF 1

FOR REFERENCE ONLY