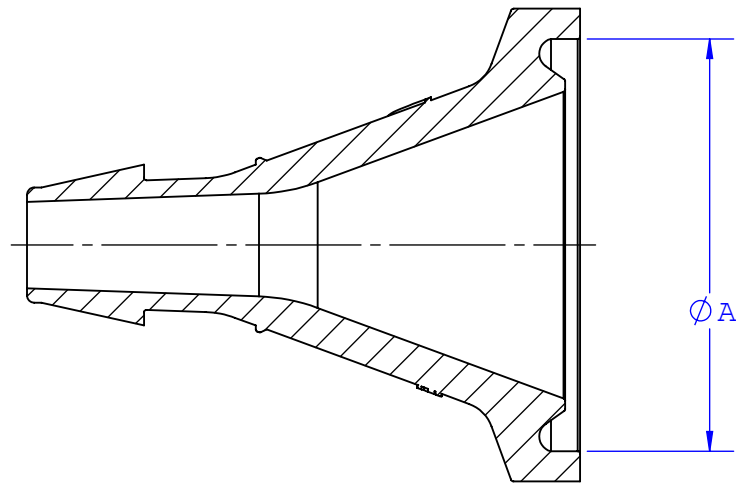
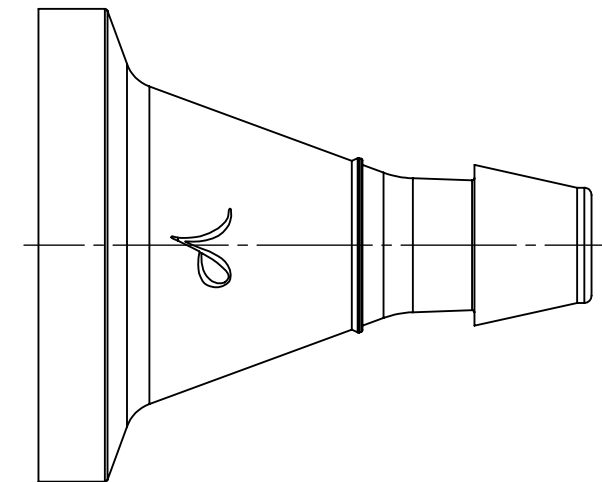
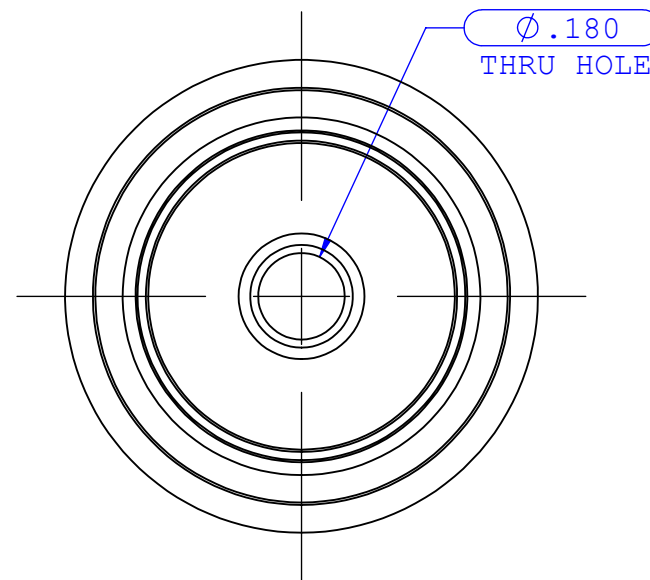
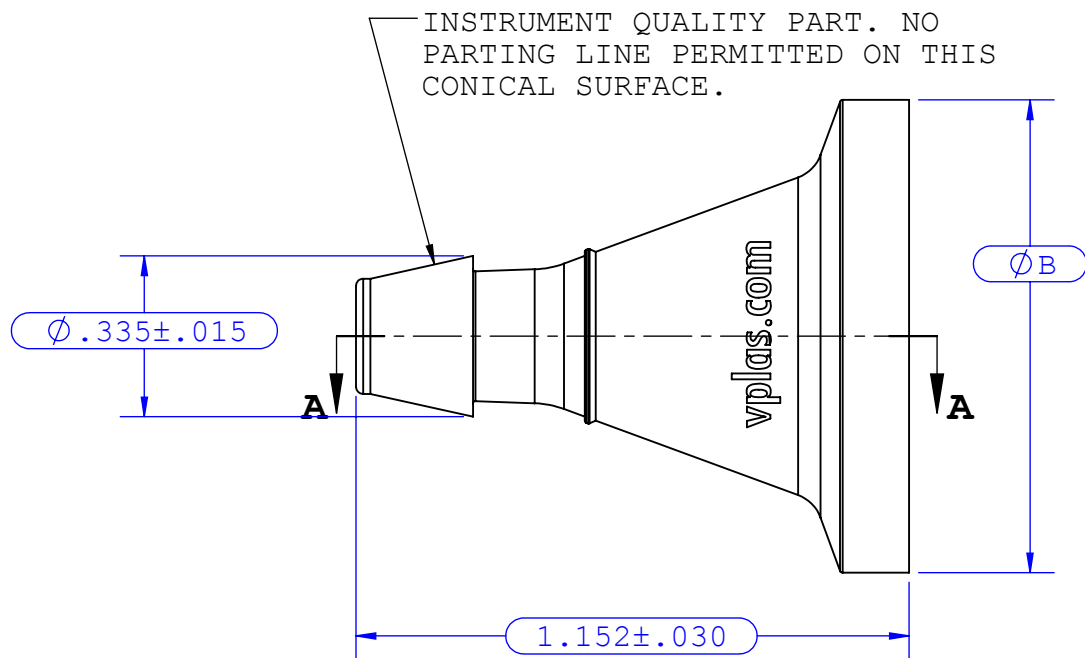
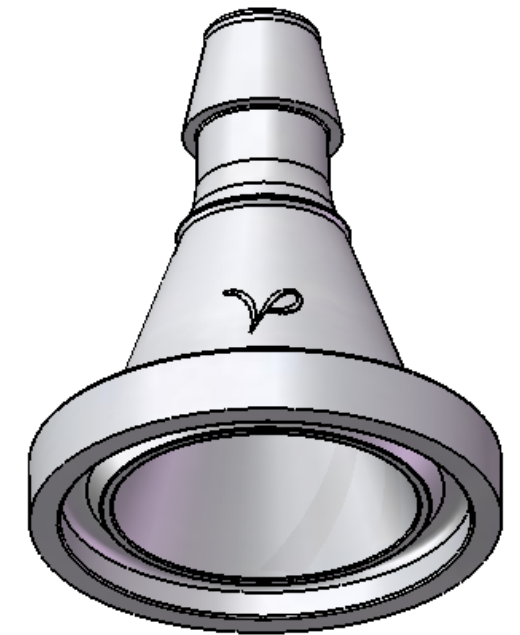


- NOTES:
- FOR ADDITIONAL DETAILS, PLEASE CONTACT VP PRODUCT DEVELOPMENT
  - DIMENSIONS MARKED  $\varnothing$  ARE CONTROL DIMENSIONS
  - ALL EXTERIOR SURFACES HAVE A 20 Ra MICRINCH SURFACE FINISH OR BETTER
  - ALL INTERIOR SURFACES HAVE A 15 Ra MICRINCH SURFACE FINISH OR BETTER

REVISIONS			
REV.	DESCRIPTION	DATE	APPROVED
A	INITIAL RELEASE	12-04-08	S.N.R.



**SECTION A-A**



Dimension	Material Specific Tolerances							
	Acetal	Nylon	PP	ABS	PC	PVC	Polysulfone	PVDF
A			0.859±.008					0.859±.012
B			0.985±0.008					0.985±0.012
C								
D								
E								
F								

UNLESS OTHERWISE SPECIFIED  
DIMENSIONS ARE IN INCHES  
TOLERANCES ARE:

FRACTIONS	DECIMAL	ANGULAR
±	.XX ±.01	± 1°
	.XXX ±.005	
	.XXXX ±.001	

DO NOT SCALE DRAWING

**VALUE PLASTICS, INC**

PART NUMBER: SFMN655				
DESCRIPTION: Sanitary Fitting, Mini Flange to 600 Series Barb, 1/4" (6.4 mm) Tubing ID				
DRAWN BY: marcl	DATE: 12/4/2008	SIZE: <b>B</b>	SCALE: NTS	REV: A
NEW PRODUCT DEVELOPMENT MGR: R. Narayanan			DWG. NO.: 1013769	SHEET: 1 OF 1
© 2007 VALUE PLASTICS, INC				

**FOR REFERENCE ONLY**