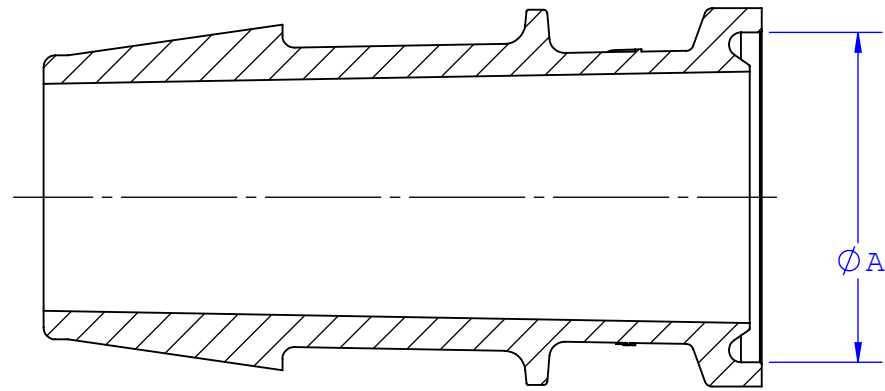


- NOTES:
- FOR ADDITIONAL DETAILS, PLEASE CONTACT VP PRODUCT DEVELOPMENT
  - DIMENSIONS MARKED  $\square$  ARE CONTROL DIMENSIONS
  - ALL EXTERIOR SURFACES HAVE A 20 Ra MICROINCH SURFACE FINISH OR BETTER
  - ALL INTERIOR SURFACES HAVE A 15 Ra MICROINCH SURFACE FINISH OR BETTER

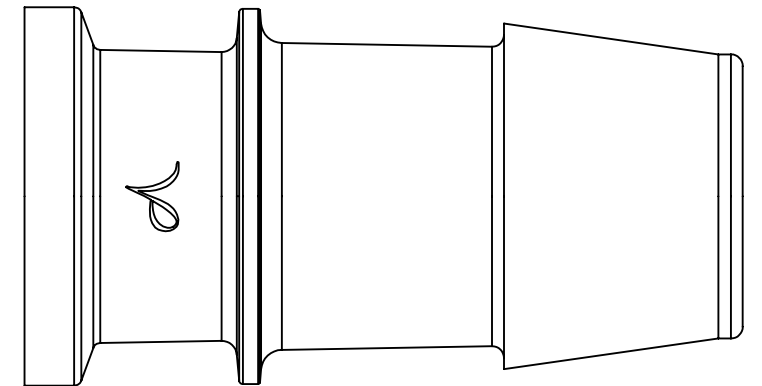
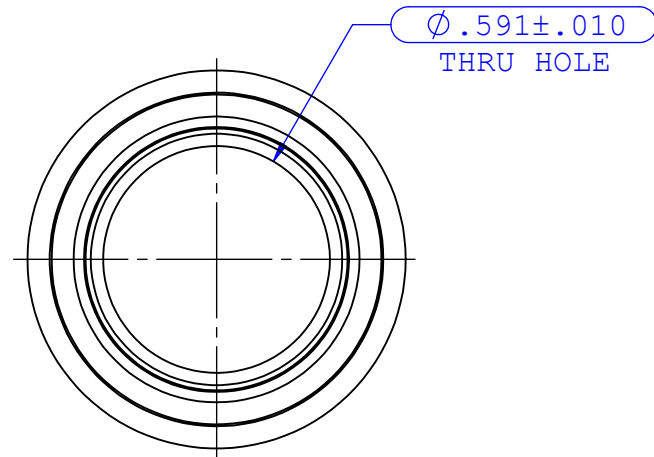
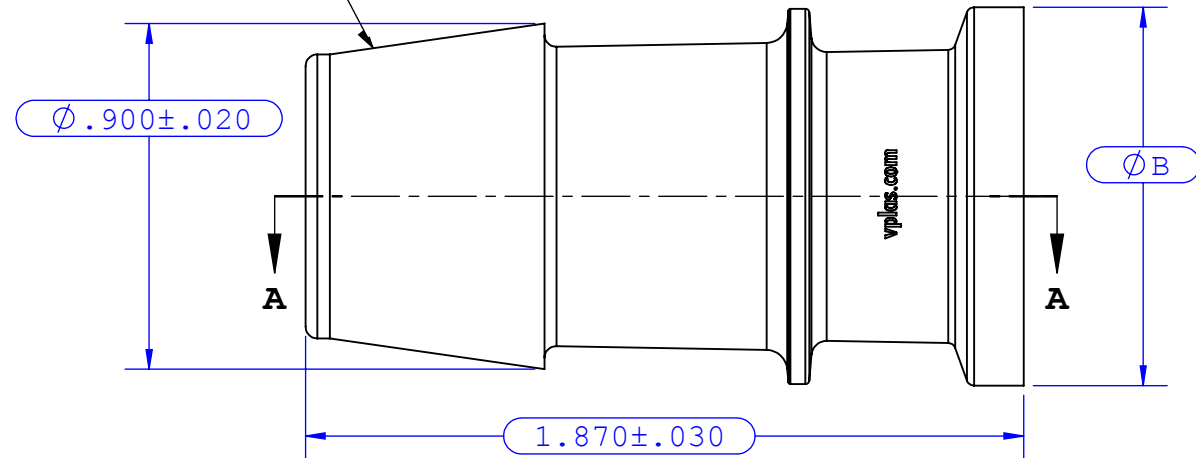
REVISIONS			
REV.	DESCRIPTION	DATE	APPROVED
A	INITIAL RELEASE	12-03-08	S.N.R.



**SECTION A-A**



INSTRUMENT QUALITY PART. NO PARTING LINE PERMITTED ON THIS CONICAL SURFACE.



Dimension	Material Specific Tolerances							
	Acetal	Nylon	PP	ABS	PC	PVC	Polysulfone	PVDF
A			0.859±0.008					0.859±0.012
B			0.985±0.008					0.985±0.012
C								
D								
E								
F								

UNLESS OTHERWISE SPECIFIED DIMENSIONS ARE IN INCHES TOLERANCES ARE:		<b>VALUE PLASTICS, INC</b>			
FRACTIONS .XX ±.01 .XXX ±.005 .XXXX ±.001		PART NUMBER: SFMN6100			
DECIMAL ±.01 ±.005 ±.001		DESCRIPTION: Sanitary Fitting, Mini Flange to 600 Series Barb, 3/4" (19.0 mm) Tubing ID			
ANGULAR ± 1°		SIZE: <b>B</b>	SCALE: NTS	VER: 1013771	REV: A
DO NOT SCALE DRAWING		© 2007 VALUE PLASTICS, INC SHEET: 1 OF 1			
DRAWN BY: marcl	DATE: 12/3/2008				
NEW PRODUCT DEVELOPMENT MGR: R. Narayanan					

**FOR REFERENCE ONLY**