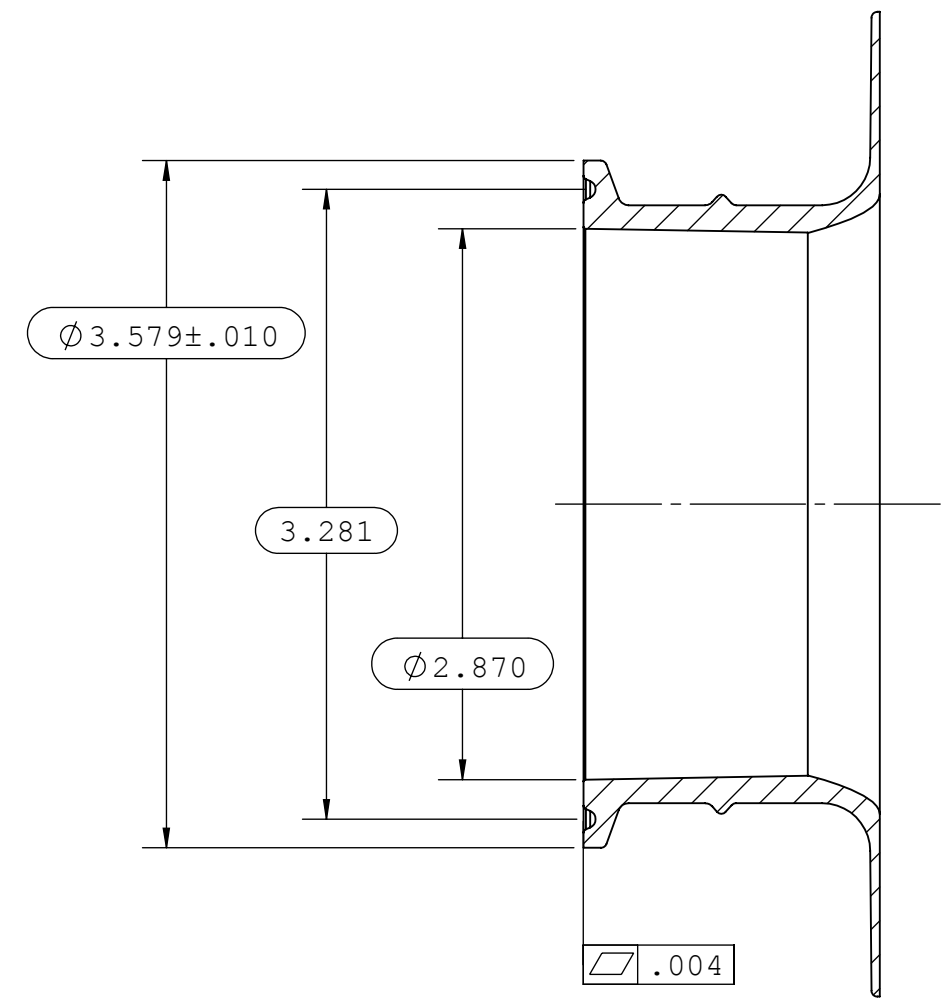
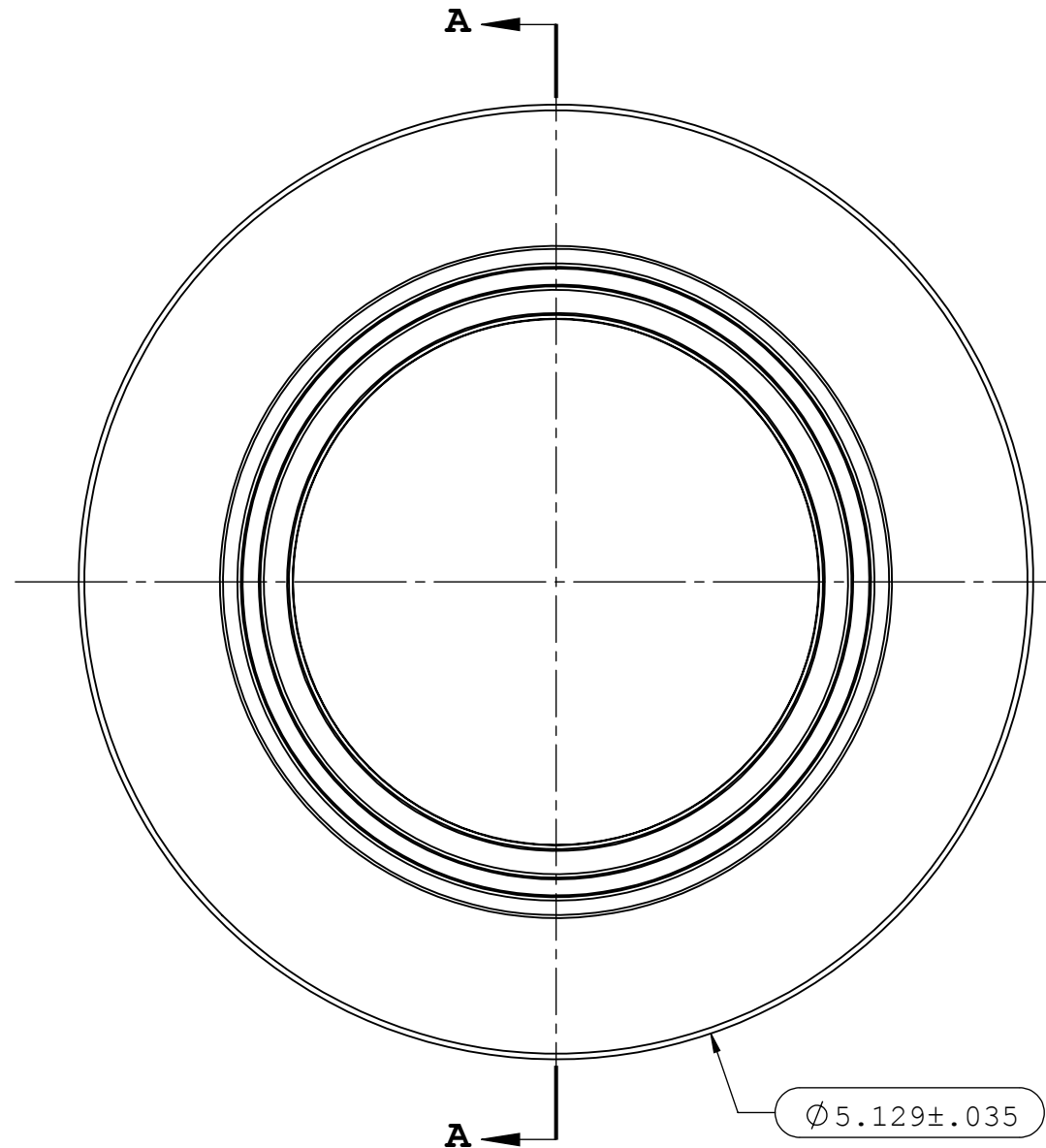


- NOTES:
- FOR ADDITIONAL DETAILS, PLEASE CONTACT VP PRODUCT DEVELOPMENT
 - DIMENSIONS MARKED \varnothing ARE CONTROL DIMENSIONS
 - ALL EXTERIOR SURFACES HAVE A MAXIMUM OF 20 Ra MICROINCH SURFACE FINISH.
 - ALL INTERIOR SURFACES HAVE A MAXIMUM OF 15 Ra MICROINCH SURFACE FINISH.
 - VALUE PLASTICS SF SERIES FERRULES ARE DESIGNED TO COMPLY WITH ASME BPE-2012 TABLE DT-7-1 HYGIENIC CLAMP FERRULE STANDARD DIMENSIONS & TOLERANCES AND TABLE DT-9.3-1 HYGIENIC CLAMP FERRULE: DESIGN CRITERIA. ALL INTERIOR AND EXTERIOR SURFACE FINISHES COMPLY WITH ASME BPE-2012 TABLE SF-3.4-1 SFP2 Ra READINGS FOR POLYMERIC PRODUCT CONTACT SURFACES.
 - ID FLASH NOT TO EXCEED .003". EXTERIOR PARTING LINE FLASH NOT TO EXCEED .005".
 - USE GAGE CG088 TO MEASURE GASKET GROOVE DIMENSIONS

REVISIONS			
REV.	DESCRIPTION	DATE	APPROVED
A5	Added Description to Title Block	9-27-13	S.N.R



SECTION A-A

UNLESS OTHERWISE SPECIFIED DIMENSIONS ARE IN INCHES TOLERANCES ARE:		VALUE PLASTICS, INC			
FRACTIONS DECIMAL ANGULAR ± .XX ±.01 ± 1° .XXX ±.005 .XXXX ±.001		PART NUMBER: SFBPF3			
DO NOT SCALE DRAWING		DESCRIPTION: Bag Port Flange to 3" Tri-Clamp Connection			
DRAWN BY: Pete L.	DATE: 9/27/2013	SIZE: B	SCALE: NTS	VER: 	DWG. NO. REV 1026906 A5
MANAGER: Manager		© 2011 VALUE PLASTICS, INC			SHEET: 1 OF 1

FOR REFERENCE ONLY