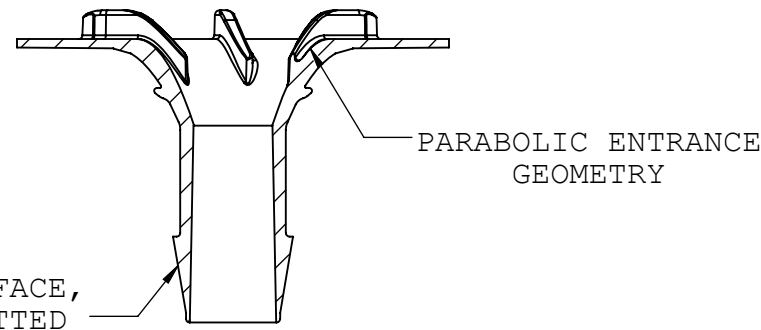
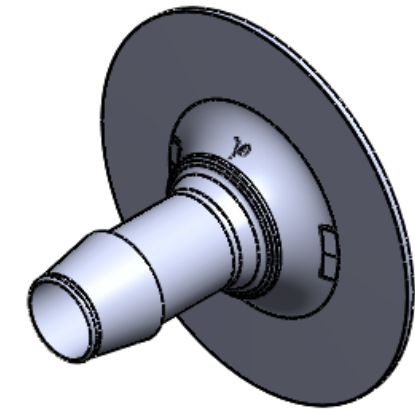
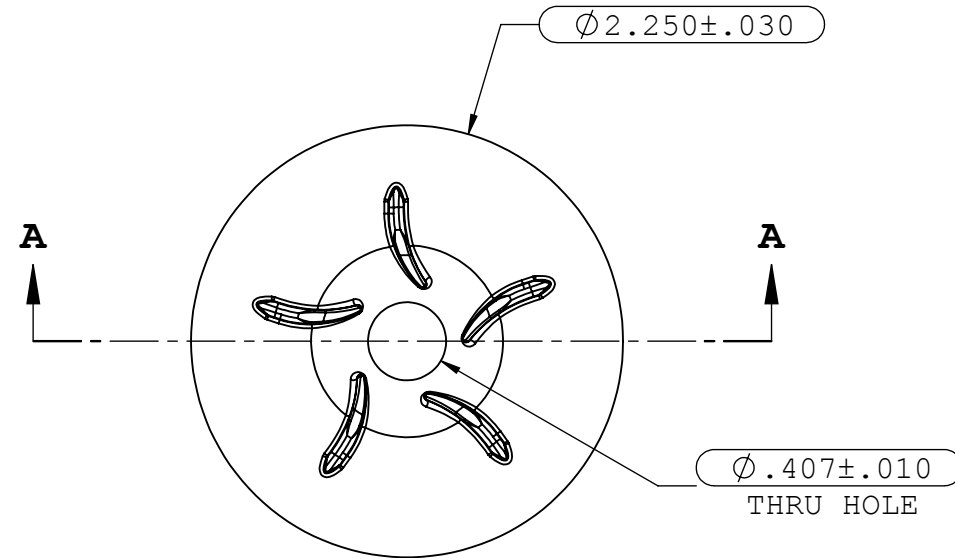
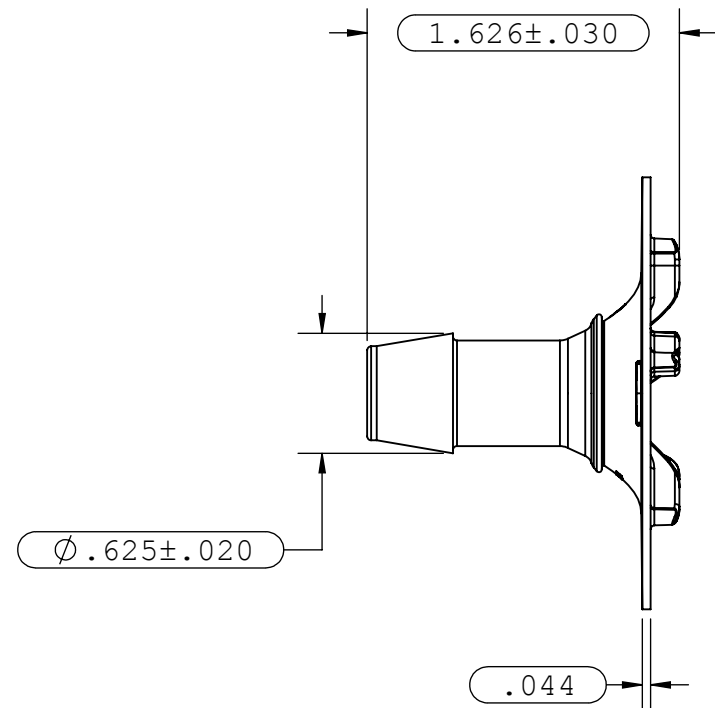


NOTES: FOR ADDITIONAL DETAILS, PLEASE CONTACT VP CUSTOMER SERVICE
 DIMENSIONS MARKED \varnothing ARE CONTROL DIMENSIONS
 ALL INTERIOR SURFACES HAVE A 15 Ra MICROINCH SURFACE FINISH OR FINER
 ALL EXTERIOR SURFACES HAVE A 20 Ra MICROINCH SURFACE FINISH OR FINER

REVISIONS			
REV.	DESCRIPTION	DATE	APPROVED
A	INITIAL RELEASE	01/16/12	S.N.R



INSRUMENT QUALITY SURFACE,
 NO PARTING LINE PERMITTED

SECTION A-A

UNLESS OTHERWISE SPECIFIED DIMENSIONS ARE IN INCHES TOLERANCES ARE:		VALUE PLASTICS, INC			
FRACTIONS DECIMAL ANGULAR \pm .XX \pm .01 \pm 1° .XXX \pm .005 .XXXX \pm .001 DO NOT SCALE DRAWING		PART NUMBER: SFBP680			
DRAWN BY: kyles		DATE: 1/17/2012		DESCRIPTION: SANITARY FITTING, BAG PORT 600 SERIES BARB, 1/2" (12.7mm) I.D. TUBING	
NEW PRODUCT DEVELOPMENT MGR: R. Narayanan		SIZE: B	SCALE: NTS	VER: 1022166	DWG. NO. REV 1022166 A
© 2010 VALUE PLASTICS, INC				SHEET: 1 OF 1	

FOR REFERENCE ONLY