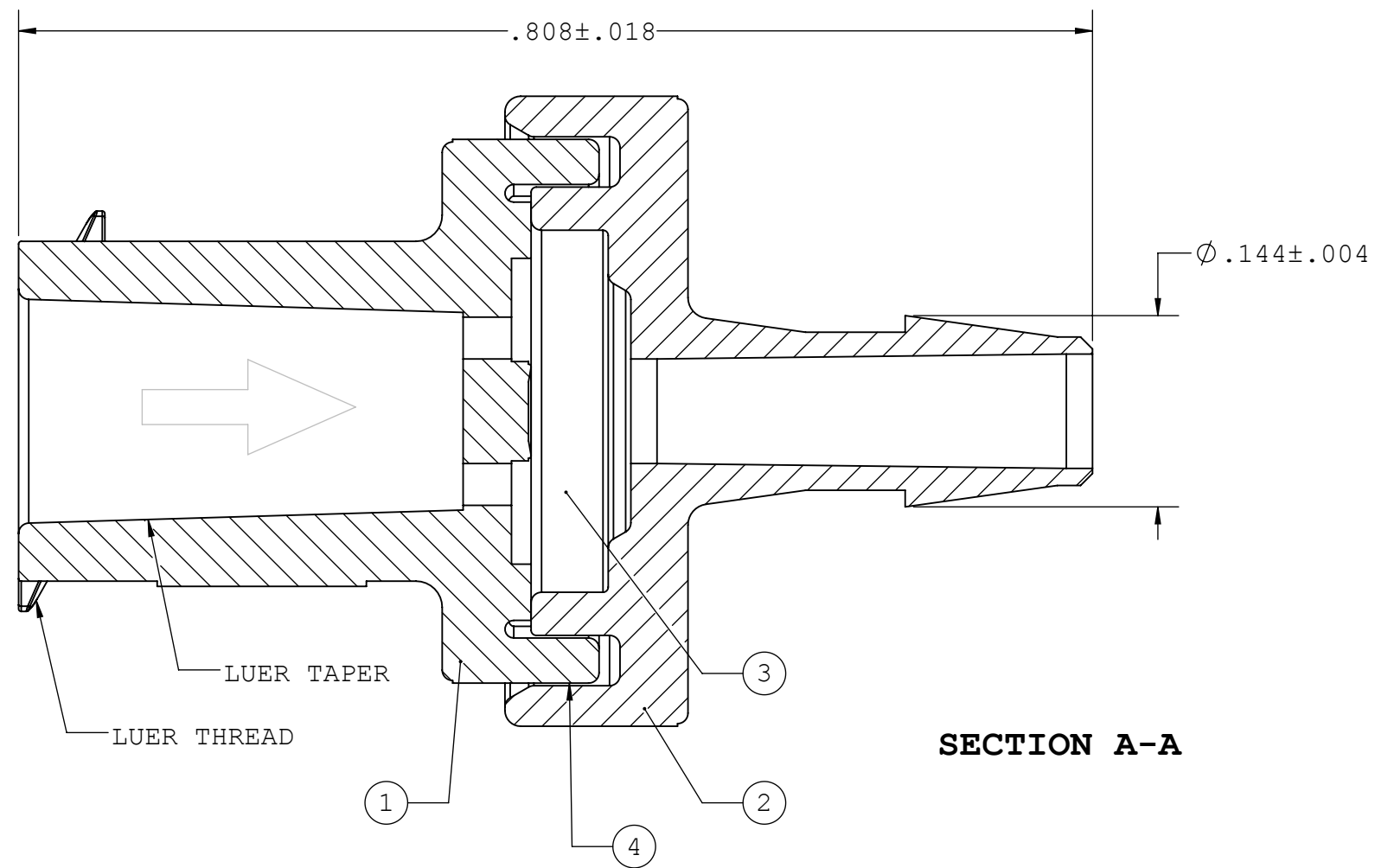
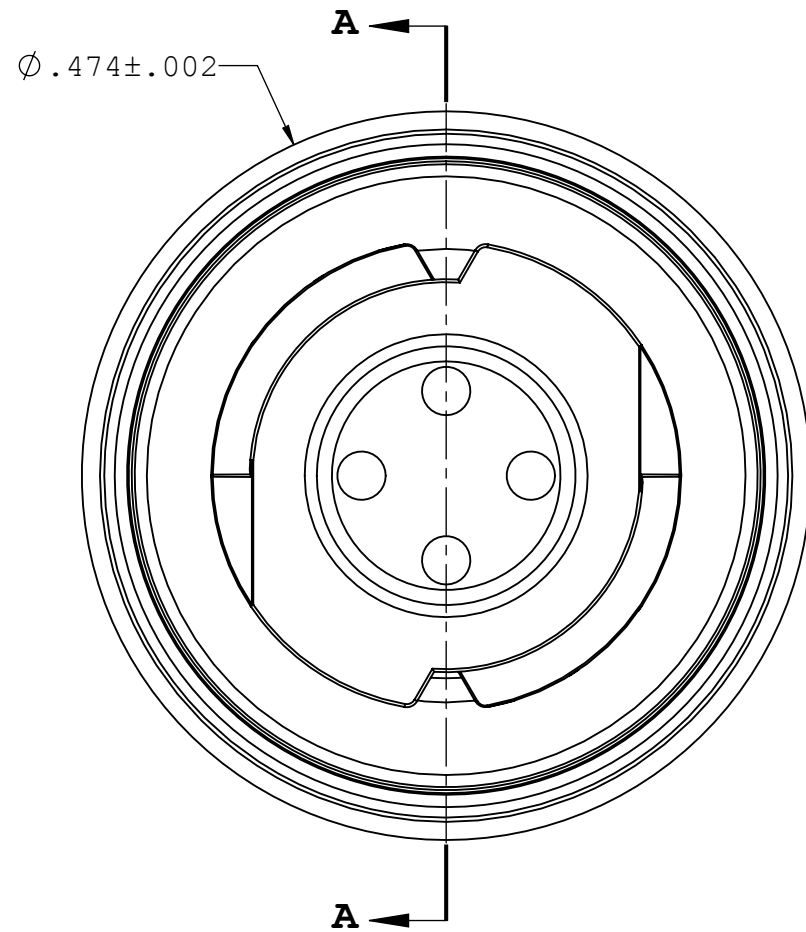
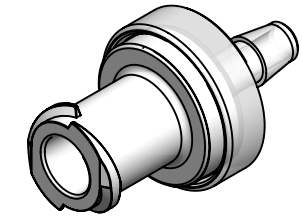


NOTES: FOR ADDITIONAL DETAILS, PLEASE CONTACT VP CUSTOMER SERVICE
DIMENSIONS MARKED \square ARE CONTROL DIMENSIONS

REVISIONS			
REV.	DESCRIPTION	DATE	APPROVED
A	INITIAL RELEASE	06/07/13	S.N.R



SCV67FL/220 Bill Of Materials			
POS.	QTY	DESCRIPTION	MATERIAL, COLOR
1	1	Check Valve V2000 Inlet with Female Luer Lock	SAN White
2	1	Check Valve V2000 Outlet with Barb 3/32" (2.4 mm) I.D. Tubing	MABS, Transparent
3	1	Valve Membrane V2000 IV, 60A Durometer	Silicone, Transparent
4	pc	Solvent	Tetrahydrofurane

UNLESS OTHERWISE SPECIFIED DIMENSIONS ARE IN INCHES TOLERANCES ARE: FRACTIONS DECIMAL ANGULAR ± .XX ±.01 ± 1° .XXX ±.005 .XXXX ±.001 DO NOT SCALE DRAWING		VALUE PLASTICS, INC			
DRAWN BY: kyles		DATE: 6/7/2013		SIZE: B	SCALE: NTS
MANAGER: RaviN		VER: 		DWG. NO. 1027180	REV A
© 2011 VALUE PLASTICS, INC					SHEET: 1 OF 1

FOR REFERENCE ONLY