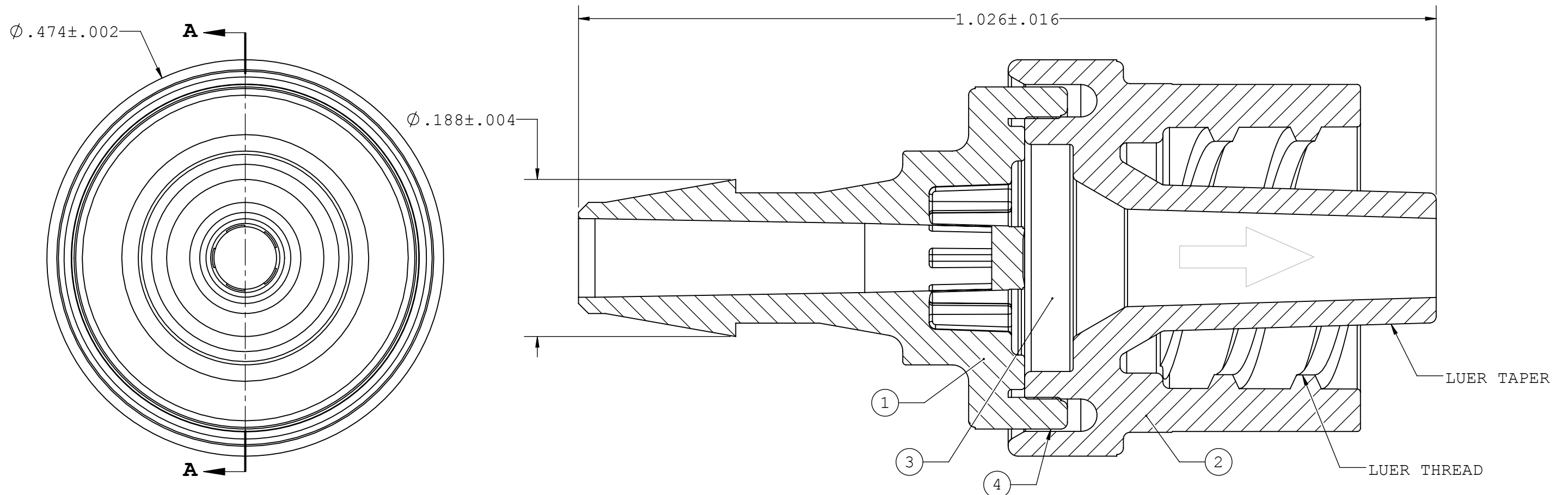
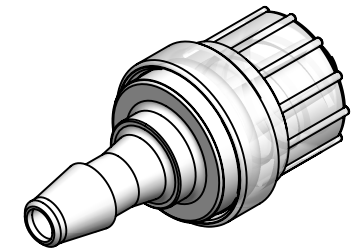


NOTES: FOR ADDITIONAL DETAILS, PLEASE CONTACT VP CUSTOMER SERVICE
 DIMENSIONS MARKED \varnothing ARE CONTROL DIMENSIONS

REVISIONS			
REV.	DESCRIPTION	DATE	APPROVED
A	INITIAL RELEASE	06/07/13	S.N.R



SECTION A-A

SCV67230/ML Bill Of Materials			
POS.	QTY	DESCRIPTION	MATERIAL, COLOR
1	1	Check Valve V2000 Inlet with Barb 1/8" (3.2 mm) I.D. Tubing	MABS White
2	1	Check Valve V2000 Outlet with Male Luer Lock	SAN, Transparent
3	1	Valve Membrane V2000 IV, 60A Durometer	Silicone, Transparent
4	pc	Solvent	Tetrahydrofurane

UNLESS OTHERWISE SPECIFIED DIMENSIONS ARE IN INCHES TOLERANCES ARE: FRACTIONS DECIMAL ANGULAR ± .XX ±.01 ± 1° ± .XXX ±.005 ± .XXXX ±.001 DO NOT SCALE DRAWING		VALUE PLASTICS, INC			
DRAWN BY: kyles		DATE: 6/7/2013		PART NUMBER: SCV67230/ML	
MANAGER: RaviN		SIZE: B	SCALE: NTS	VER: 	DESCRIPTION: Check Valve, Barb for 1/8" (3.2 mm) ID Tubing to Male Locking Luer
© 2011 VALUE PLASTICS, INC				DWG. NO. 1027179	REV A
SHEET: 1 OF 1					

FOR REFERENCE ONLY