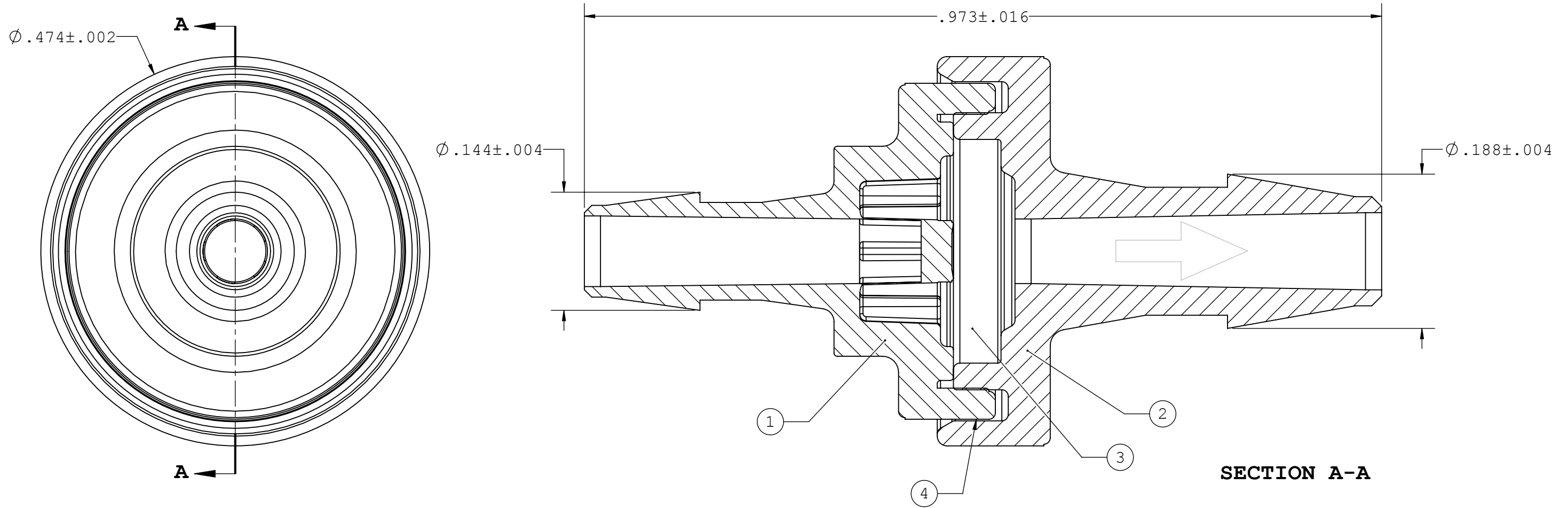
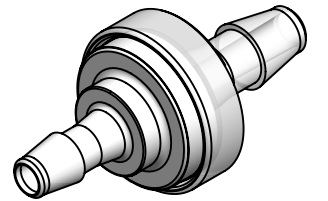


NOTES: FOR ADDITIONAL DETAILS, PLEASE CONTACT VP CUSTOMER SERVICE
 DIMENSIONS MARKED \varnothing ARE CONTROL DIMENSIONS

REVISIONS			
REV.	DESCRIPTION	DATE	APPROVED
A	INITIAL RELEASE	06/07/13	S.N.R



SCV67220/230 Bill Of Materials			
POS.	QTY	DESCRIPTION	MATERIAL, COLOR
1	1	Check Valve V2000 Inlet with Barb 3/32" (2.4 mm) I.D. Tubing	MABS White
2	1	Check Valve V2000 Outlet with Barb 1/8" (3.2 mm) I.D. Tubing	MABS, Transparent
3	1	Valve Membrane V2000 IV, 60A Durometer	Silicone, Transparent
4	pc	Solvent	Tetrahydrofurane

UNLESS OTHERWISE SPECIFIED DIMENSIONS ARE IN INCHES TOLERANCES ARE:		VALUE PLASTICS, INC			
FRACTIONS DECIMAL ANGULAR ± .XX ±.01 ± 1° .XXX ±.005 .XXXX ±.001		PART NUMBER: SCV67220/230			
DO NOT SCALE DRAWING		DESCRIPTION: Check Valve, Barb 3/32" (2.4 mm) ID Tubing to Barb 1/8" (3.2 mm) ID Tubing			
DRAWN BY: kyles	DATE: 6/7/2013	SIZE: B	SCALE: NTS	VER: 	DWG. NO. 1027176
MANAGER: RaviN		© 2011 VALUE PLASTICS, INC			REV A
				SHEET:	1 OF 1

FOR REFERENCE ONLY