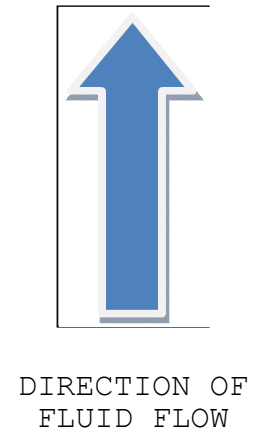
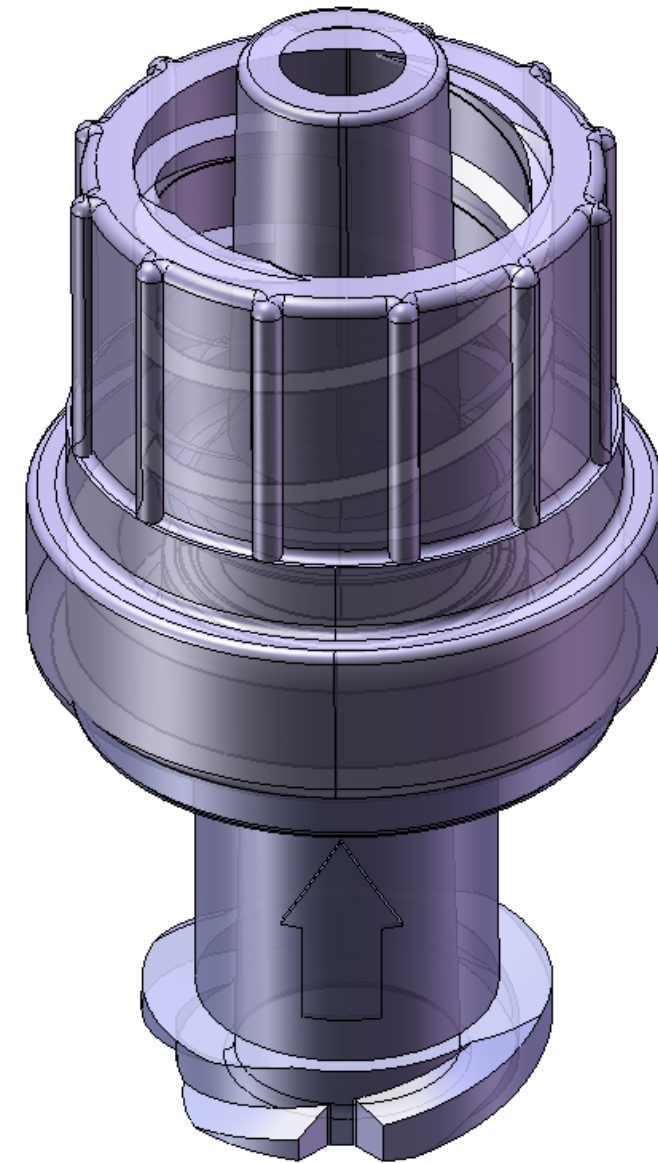
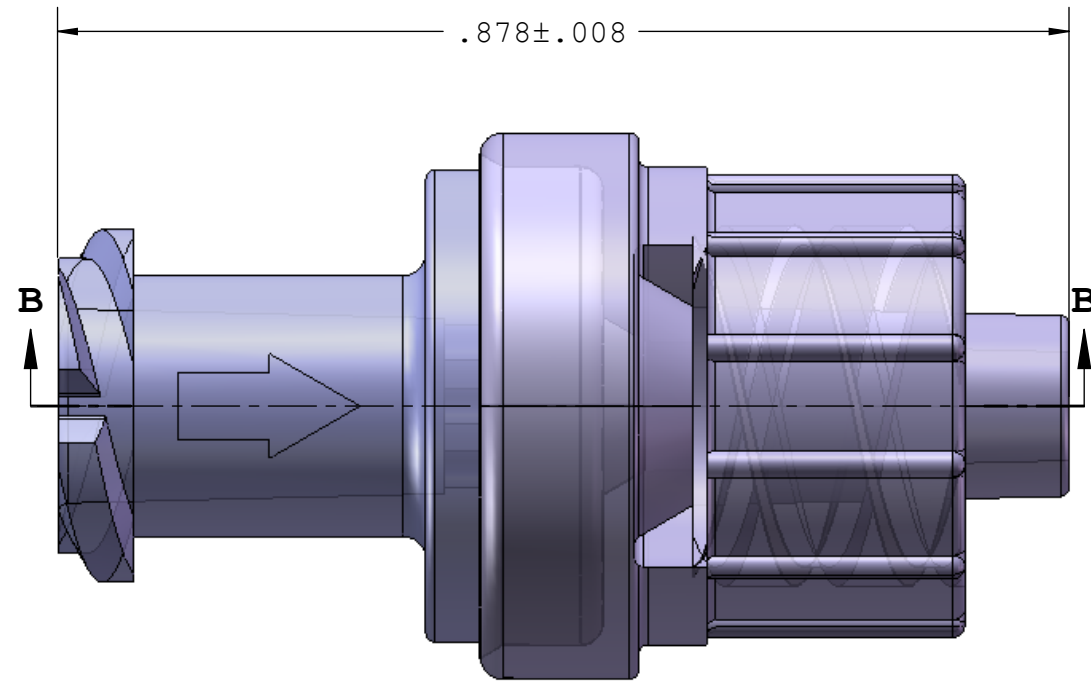


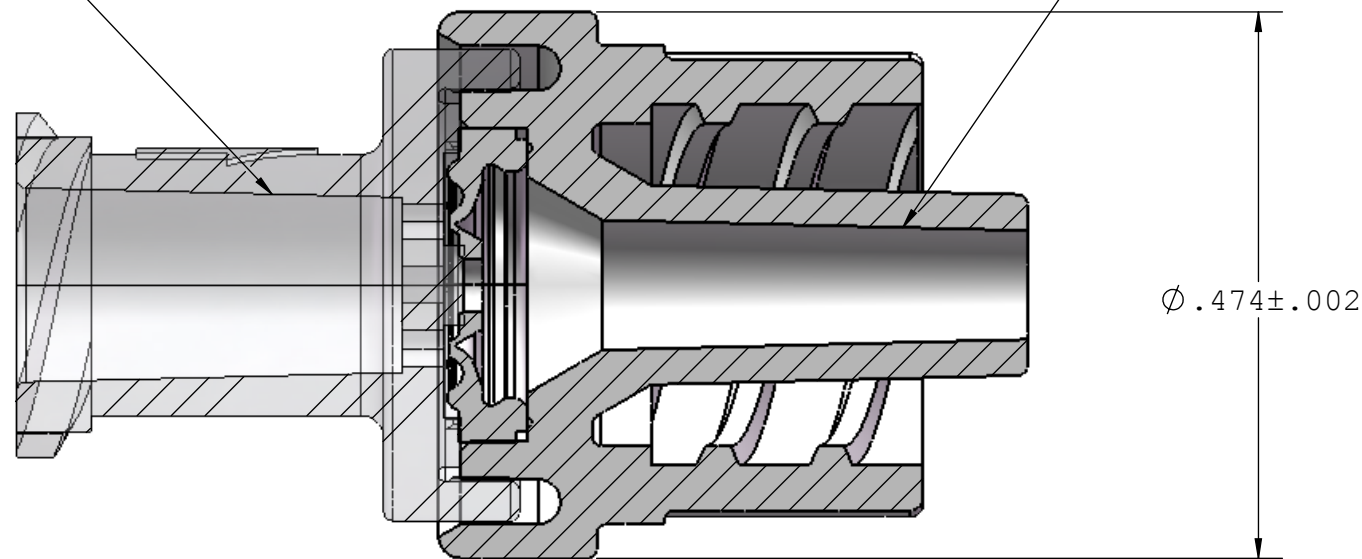
NOTES: FOR ADDITIONAL DETAILS, PLEASE CONTACT VP CUSTOMER SERVICE

REVISIONS			
REV.	DESCRIPTION	DATE	APPROVED
A	INITIAL RELEASE	01/20/09	Rick C.



FEMALE LUER-LOCK
ISO 594

MALE LUER-LOCK
ISO 594



SECTION B-B

UNLESS OTHERWISE SPECIFIED DIMENSIONS ARE IN INCHES TOLERANCES ARE:		VALUE PLASTICS, INC			
FRACTIONS DECIMAL ANGULAR ± .XX ±.01 ± 1° .XXX ±.005 .XXXX ±.001		PART NUMBER: SCV23050			
DO NOT SCALE DRAWING		DESCRIPTION: Check Valve, Female Locking Luer to Male Locking Luer, Clear SAN w/Silicone Diaphragm			
DRAWN BY: MICHELE SCHENK	DATE: 1/20/2009	SIZE: B	SCALE: NTS	VER: 	DWG. NO. 1014467
ENGINEERING MANAGER: RICK CAIRNS		© 2009 VALUE PLASTICS, INC			SHEET: 1 OF 1
		REV: A			

FOR REFERENCE ONLY