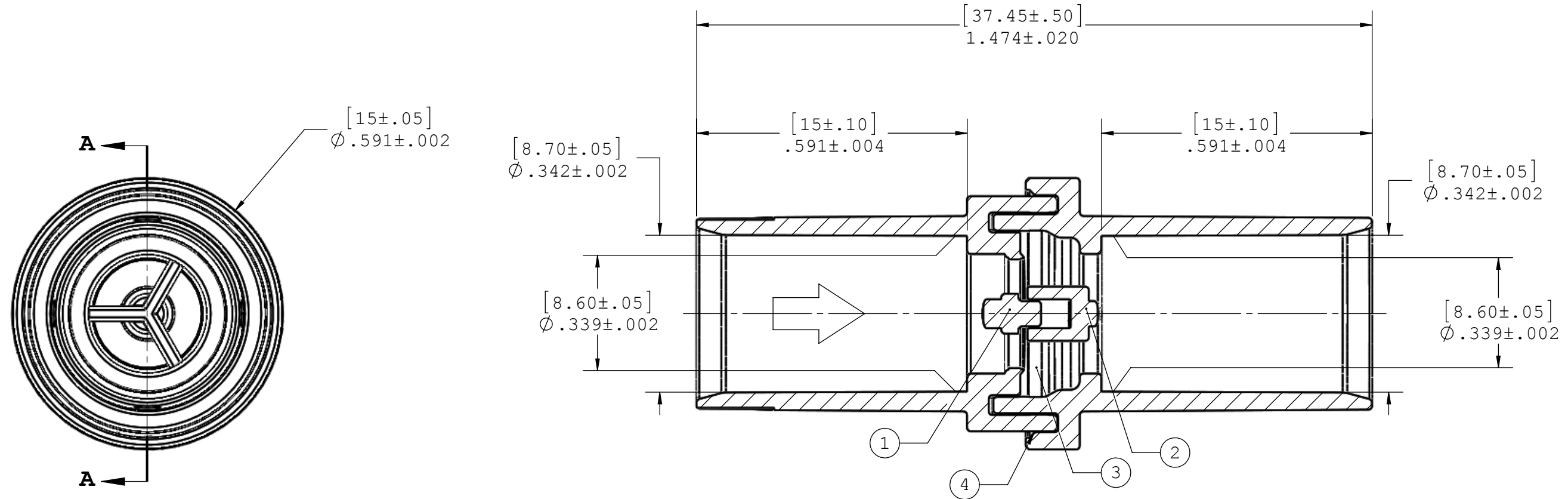
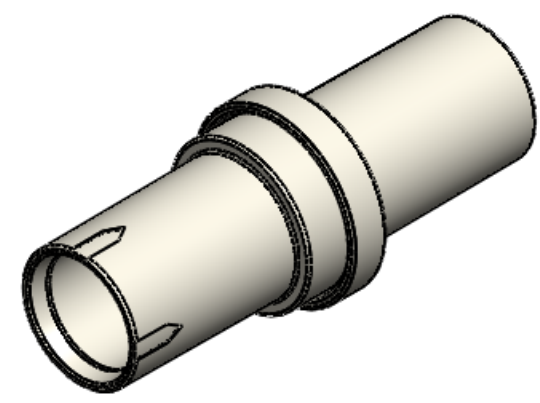


NOTES: FOR ADDITIONAL DETAILS, PLEASE CONTACT VP NEW PRODUCT DEVELOPMENT  
 DIMENSIONS MARKED  $\square$  ARE CONTROL DIMENSIONS

REVISIONS			
REV.	DESCRIPTION	DATE	APPROVED
A	INITIAL RELEASE	05-30-14	H.L



SECTION A-A



ITEM #	DESCRIPTION	MATERIAL/COLOR	QTY
1	UPPER PART V2000 W/ TUBING FITMENT 8.8 NEGATIVE	MABS, WHITE	1
2	LOWER PART V2000 W/ TUBING FITMENT 8.8 NEGATIVE	MABS, TRANSPARENT	1
3	VALVE MEMBRANE V2000 IV, 60 SHORE A	SILICONE, TRANSPARENT	1
4	SOLVENT	TETRAHYDROFURANE	-

UNLESS OTHERWISE SPECIFIED DIMENSIONS ARE IN INCHES TOLERANCES ARE:		<b>VALUE PLASTICS, INC</b>			
FRACTIONS ±	DECIMAL . XX ±.01 . XXX ±.005 . XXXX ±.001				
DO NOT SCALE DRAWING			DESCRIPTION: Check Valve, Socket for .343" (8.7 mm) OD Tubing to Tubing, Clear MABS and White MABS w/Silicone Diaphragm		
DRAWN BY: Frank.Lombardi	DATE: 6/11/2014	SIZE: <b>B</b>	SCALE: NTS	VER: 1031582	DWG. NO. 1031582
MANAGER: Huadong Lou		© 2011 VALUE PLASTICS, INC			REV A
				SHEET: 1 OF 1	