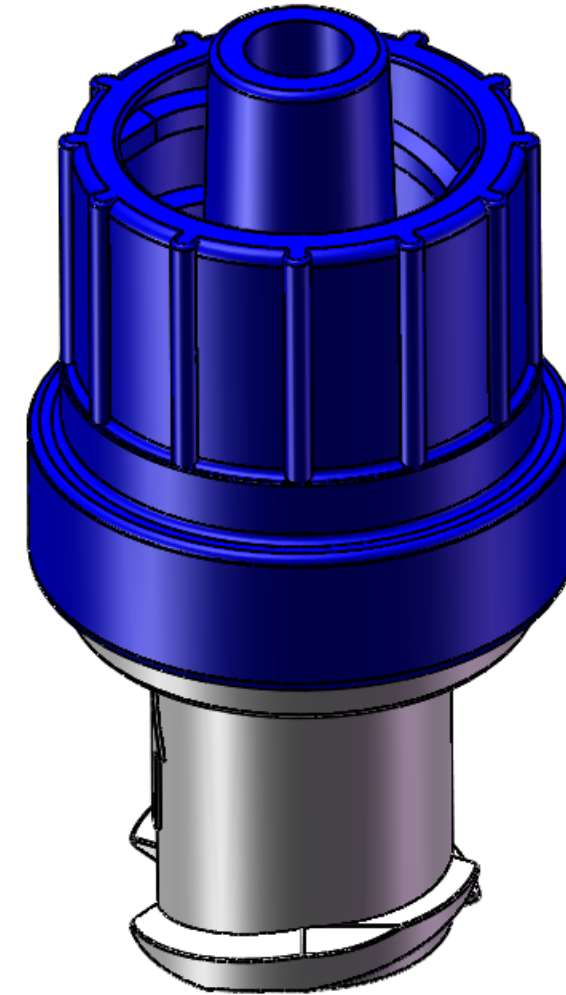
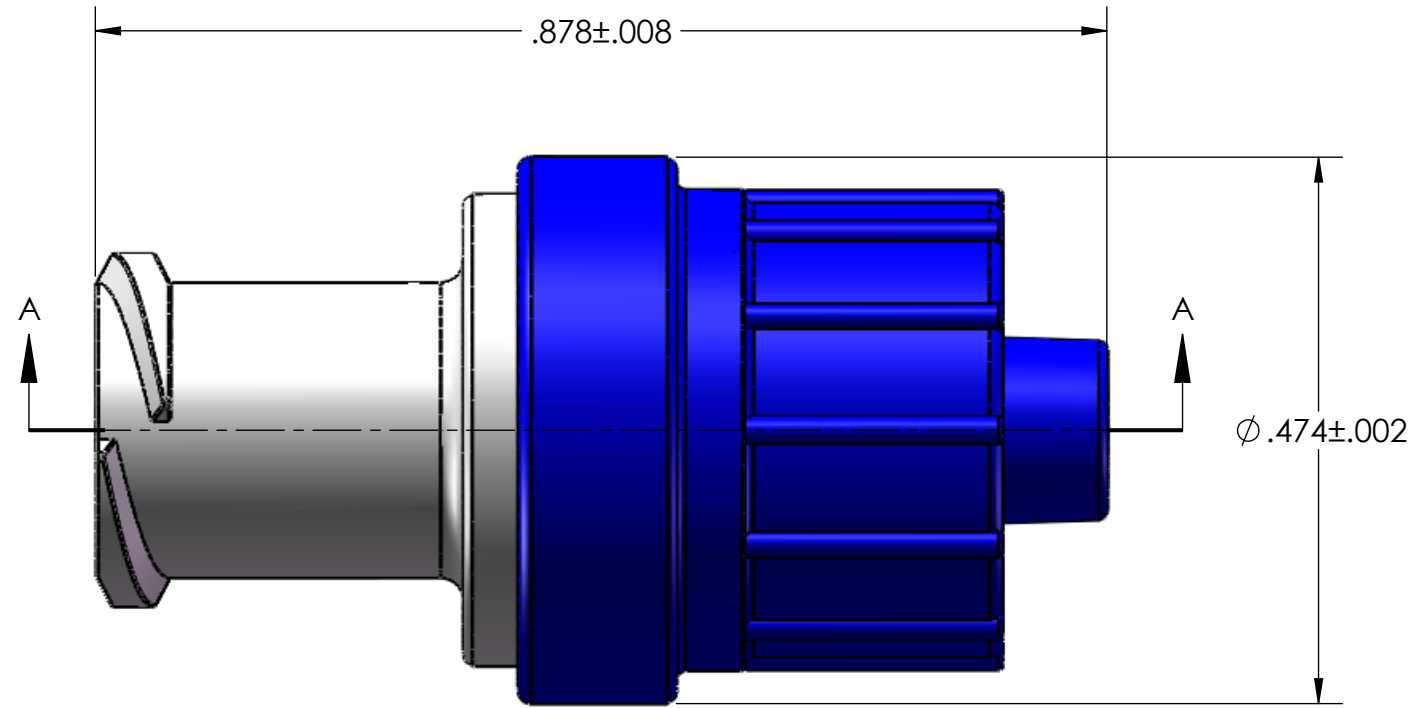
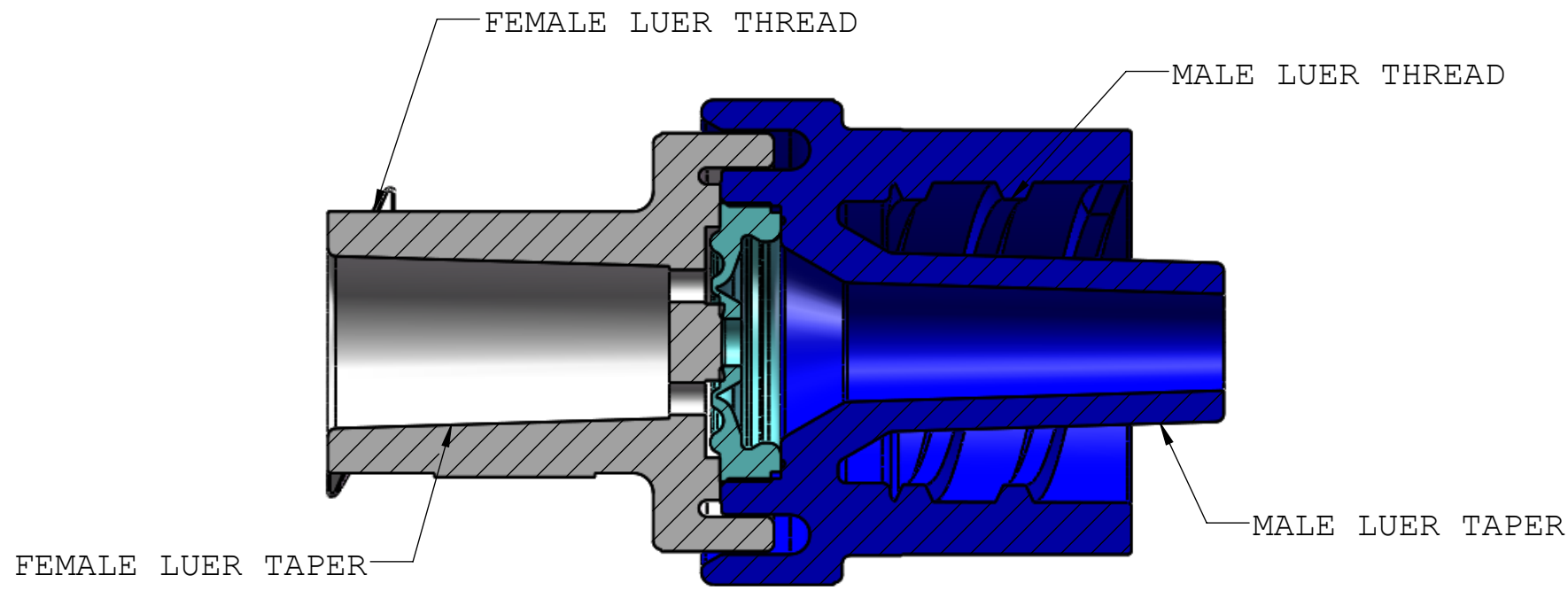


NOTES: FOR ADDITIONAL DETAILS, PLEASE CONTACT VP CUSTOMER SERVICE

REVISIONS			
REV.	DESCRIPTION	DATE	APPROVED
A	INITIAL RELEASE	04-30-15	H.L



DIRECTION OF
FLUID FLOW



SECTION A-A

UNLESS OTHERWISE SPECIFIED
DIMENSIONS ARE IN INCHES
TOLERANCES ARE:
FRACTIONS DECIMAL ANGULAR
± .XX ±.01 ± 1°
.XXX ±.005
.XXXX ±.001

DO NOT SCALE DRAWING

DRAWN BY: Frank.Lombardi DATE: 4/30/2015

ENGINEERING MANAGER:

Lou Huadong

VALUE PLASTICS, INC

PART NUMBER: SCV06252

DESCRIPTION: Check Valve, Female Locking Luer to Male Locking Luer, Clear and Blue SAN w/Silicone Diaphragm

SIZE: **B** SCALE: NTS DWG. NO. 1035800 REV **A**

© 2015 VALUE PLASTICS, INC SHEET: 1 OF 1

FOR REFERENCE ONLY