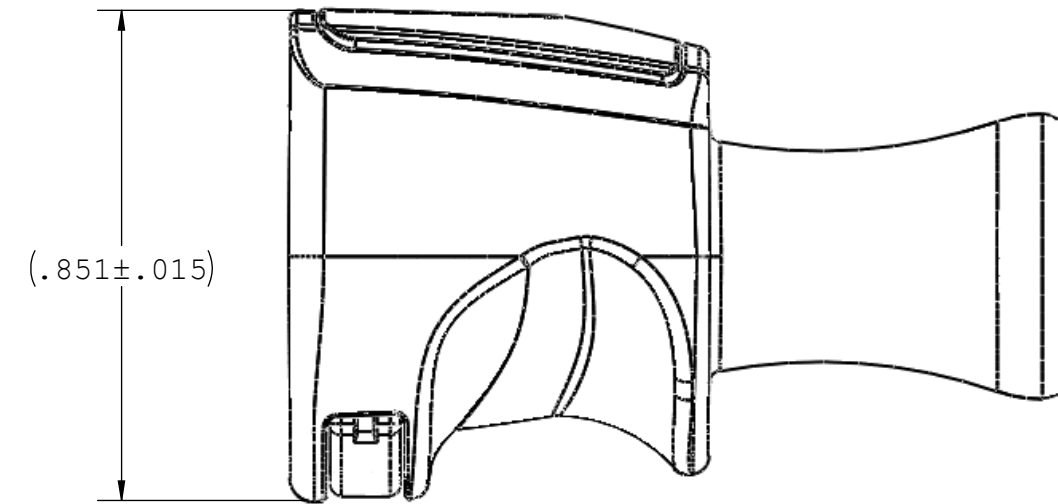
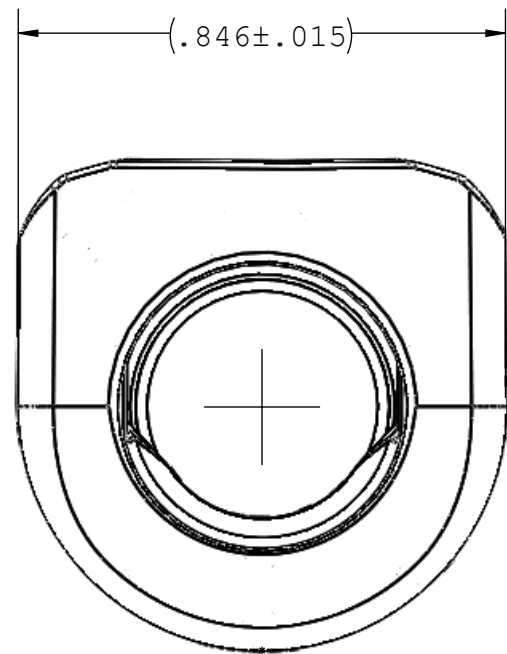
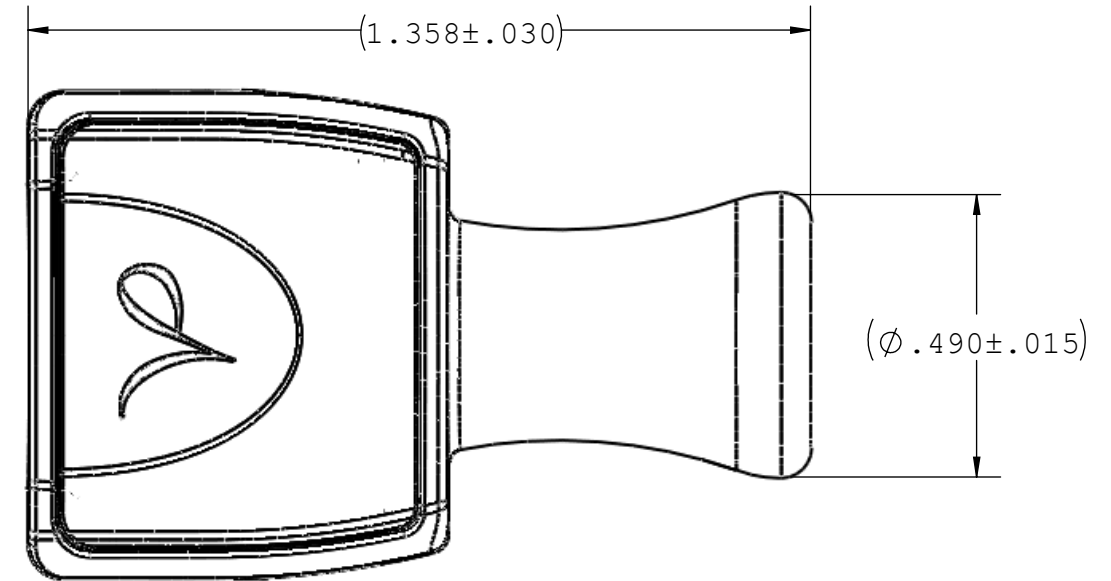
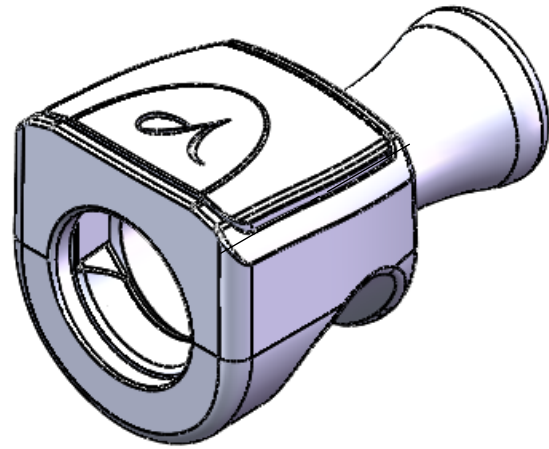


NOTES: FOR ADDITIONAL DETAILS, PLEASE CONTACT VP CUSTOMER SERVICE
 DIMENSIONS MARKED \square ARE CONTROL DIMENSIONS

| REVISIONS | | | |
|-----------|-----------------|---------|----------|
| REV. | DESCRIPTION | DATE | APPROVED |
| A | INITIAL RELEASE | 1-17-14 | S.N.R |
| | | | |



| | | | | | |
|--|--------------------|--|---------------|----------|---------------------|
| UNLESS OTHERWISE SPECIFIED DIMENSIONS ARE IN INCHES TOLERANCES ARE: | | VALUE PLASTICS, INC | | | |
| FRACTIONS DECIMAL ANGULAR \pm .XX \pm .01 \pm 1° .XXX \pm .005 .XXXX \pm .001 | | PART NUMBER: RQCFC | | | |
| DO NOT SCALE DRAWING | | DESCRIPTION: RQC Series Female Connector Cap | | | |
| DRAWN BY: Frank.Lombardi | DATE: 1/17/2014 | SIZE: B | SCALE: NTS | VER: | DWG. NO. 1027981 |
| MANAGER: Ravi Narayanan | | © 2013 VALUE PLASTICS, INC | | | REV A |
| | | | | SHEET: | 1 OF 1 |

FOR REFERENCE ONLY