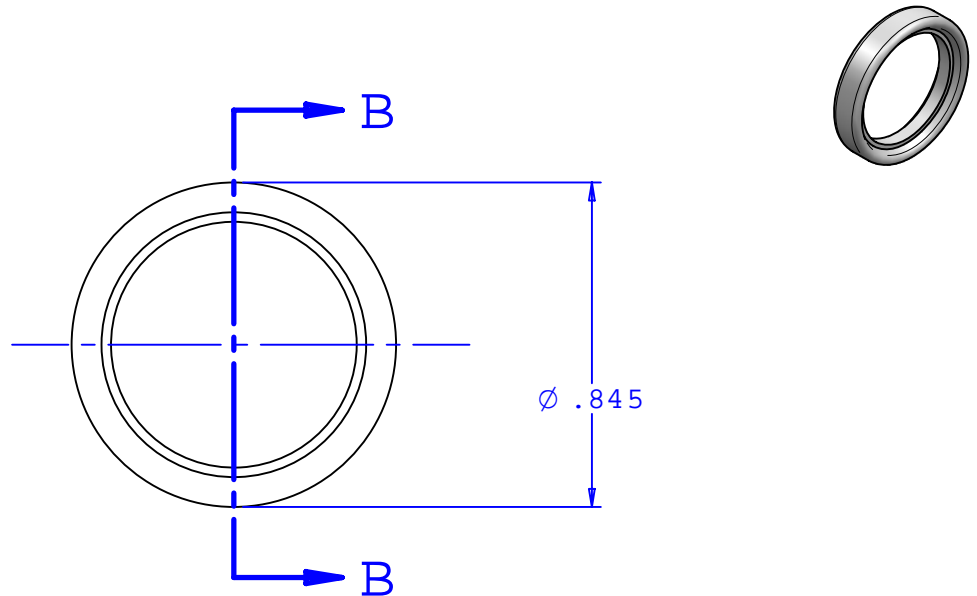
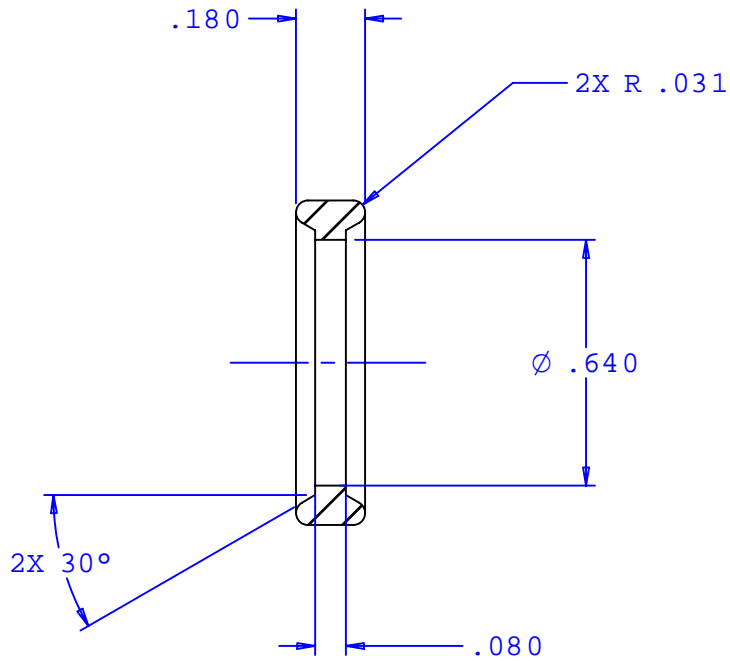


REVISIONS			
REV.	DESC RIPTION	DATE	APPROVED
A	INITIAL RELEASE	08-03-07	S.N.R



SECTION B-B

UNLESS OTHERWISE SPECIFIED
DIMENSIONS ARE IN INCHES
TOLERANCES ARE:

FRACTIONS	DECIMALS	ANGULAR
±	.XX ±.01	±1°
	.XXX ±.005	
	.XXXX ±.001	

DO NOT SCALE DRAWING

VALUE PLASTICS, INC.

PART NUMBER: GMN450-PX

DESCRIPTION:
Platinum Cured Silicone Sanitary Gasket

NOTES:

1. FOR MORE DETAILS SEE YOUR V.P. CUSTOMER SERVICE REP.

DRAWN BY: B. Elshof	DATE: 06/13/07
CHECKED BY:	DATE:

SIZE: A	SCALE: NTS	DRAWING NUMBER:	REV. A
© 2007 VALUE PLASTICS, INC.		SHEET: 1 OF 1	