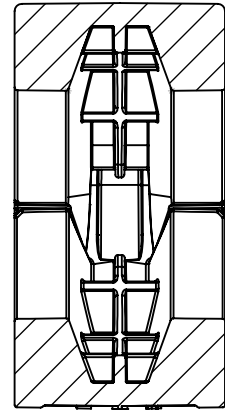
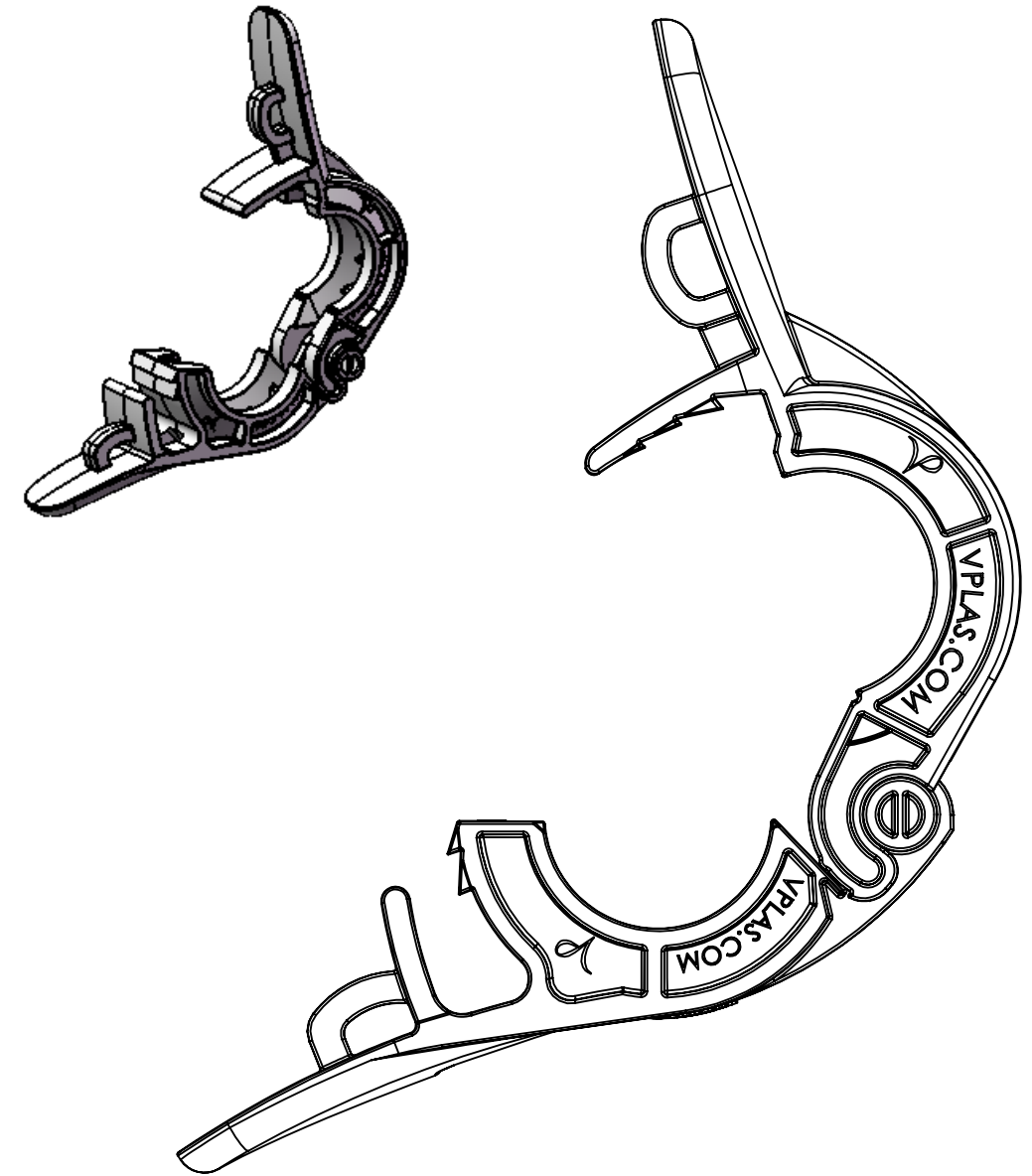
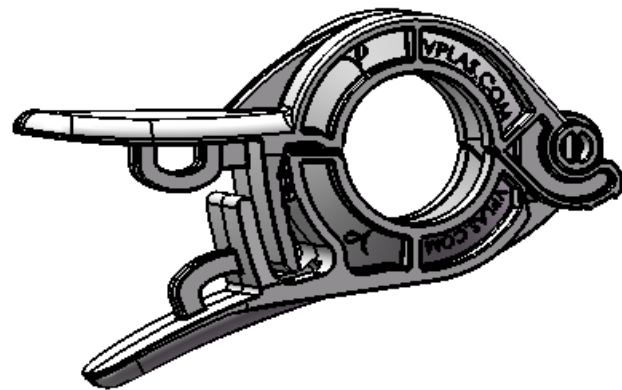
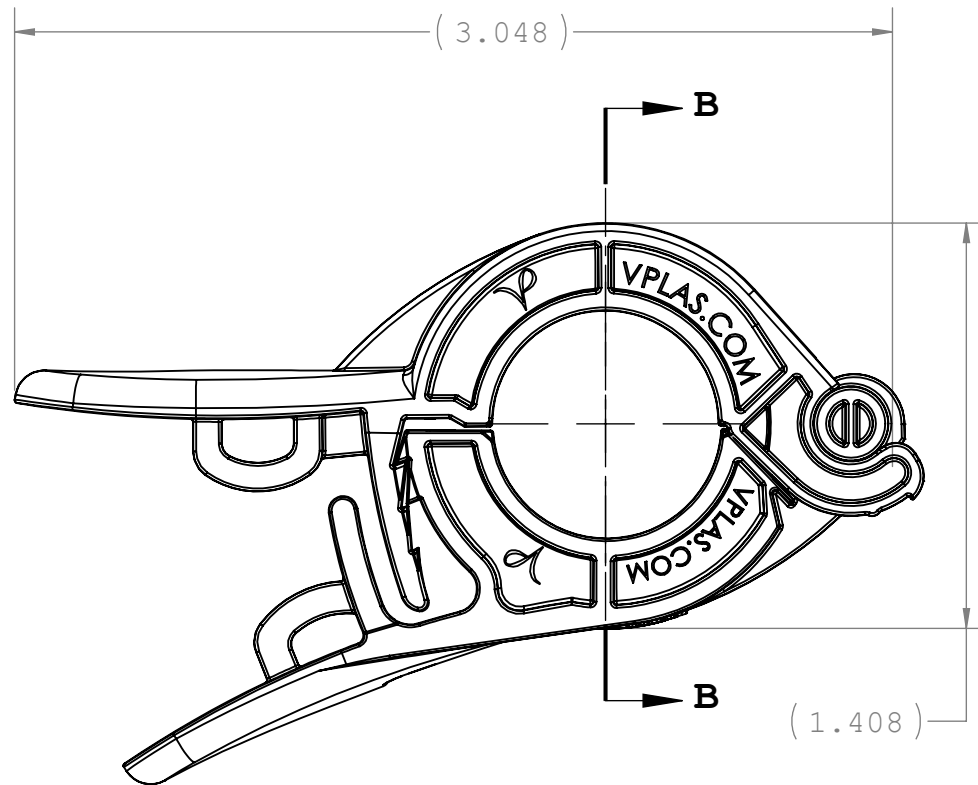


NOTES: FOR MORE DETAILS SEE YOUR V.P. SERVICE REP.

REVISIONS			
REV.	DESCRIPTION	DATE	APPROVED
A	Release for Production	10-2-13	S.N.R



SECTION B-B



UNLESS OTHERWISE SPECIFIED  
DIMENSIONS ARE IN INCHES  
TOLERANCES ARE:

FRACTIONS	DECIMAL	ANGULAR
±	.XX ±.01	± 1°
	.XXX ±.005	
	.XXXX ±.001	

DO NOT SCALE DRAWING

**VALUE PLASTICS, INC**

PART NUMBER: CPN75

DESCRIPTION: Single-Use Clamp, Mini Flange, ½" (17.7mm) to ¾" (19.0mm)

DRAWN BY: T. Whitaker	DATE: 10/13/2010	SIZE: <b>B</b>	SCALE: NTS	VER:	DWG. NO. 1018773	REV A
MANAGER: R. Narayanan					© 2010 VALUE PLASTICS, INC	SHEET: 1 OF 1

**FOR REFERENCE ONLY**