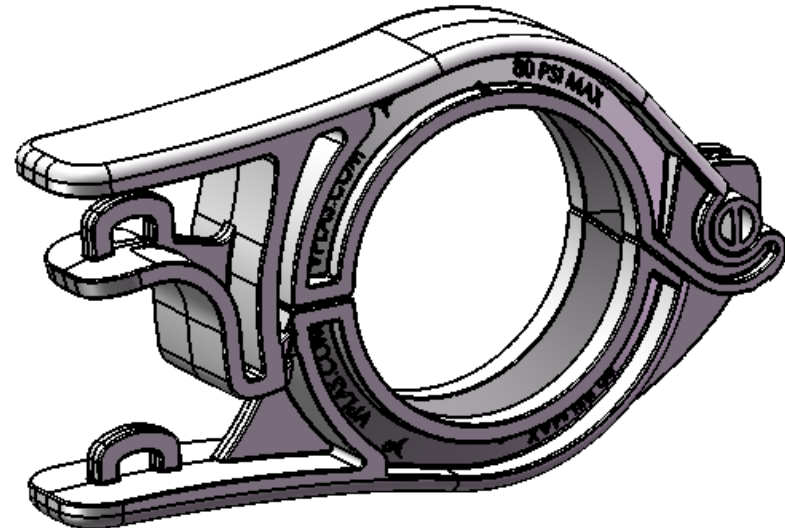
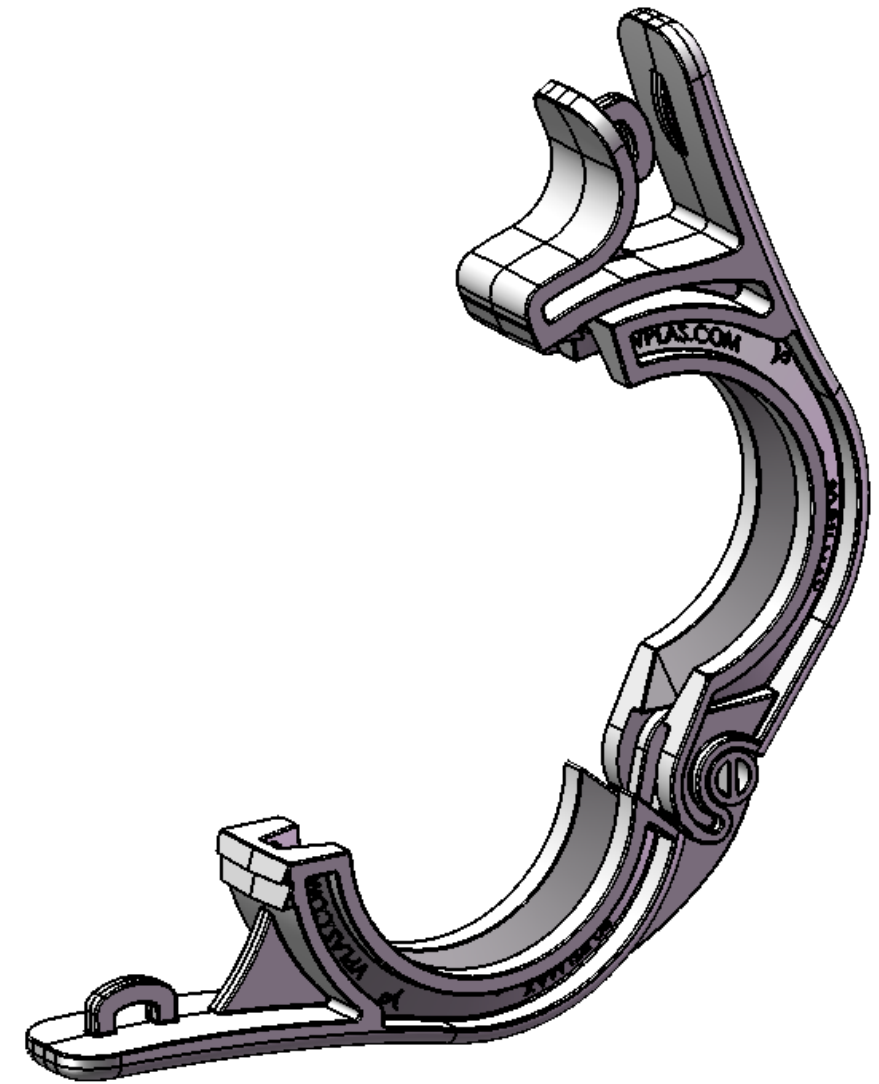
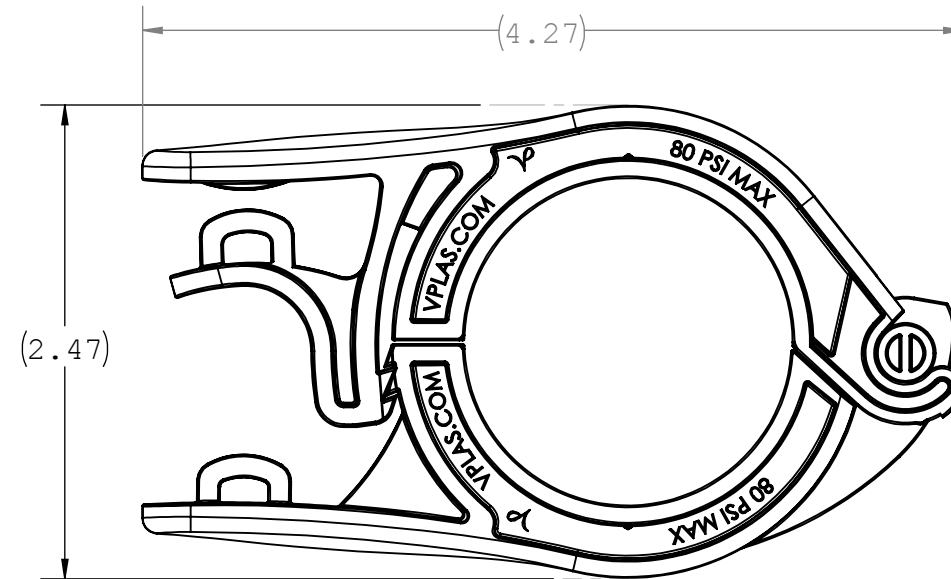
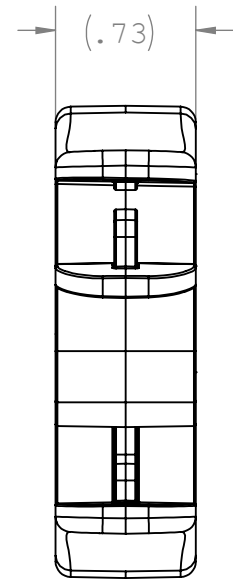


NOTES: FOR MORE DETAILS SEE YOUR V.P. SERVICE REP.

REVISIONS			
REV.	DESCRIPTION	DATE	APPROVED
A	Initial Release	5/21/15	H.L



UNLESS OTHERWISE SPECIFIED DIMENSIONS ARE IN INCHES TOLERANCES ARE:		VALUE PLASTICS, INC			
FRACTIONS DECIMAL ANGULAR ± .XX ±.01 ± 1° .XXX ±.005 .XXXX ±.001		PART NUMBER: CPAX150			
DO NOT SCALE DRAWING		DESCRIPTION: Easy-Open Clamp, Maxi Flange, 1" (25.47mm) to 1.5" (38.1mm)			
DRAWN BY: T. Whitaker	DATE: 5/21/2015	SIZE: B	SCALE: NTS	VER: 	DWG. NO. 1031279
MANAGER: L. Huadong		© 2011 VALUE PLASTICS, INC			REV A
				SHEET: 1 OF 1	

FOR REFERENCE ONLY